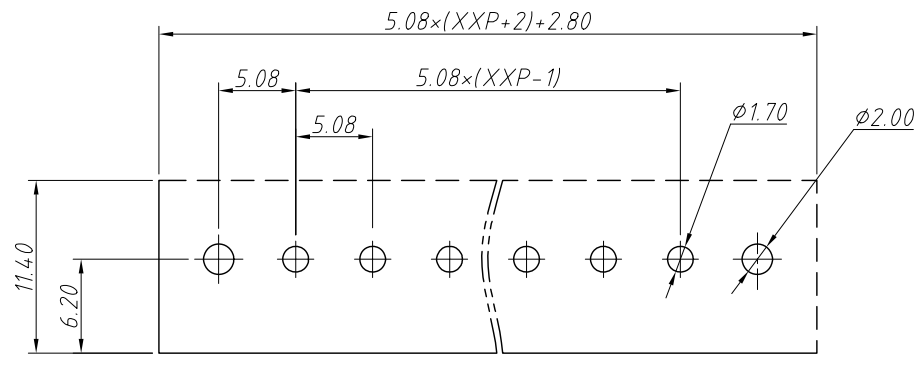
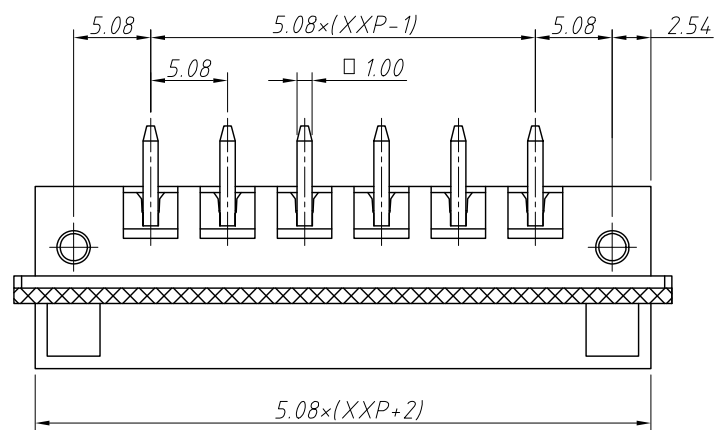
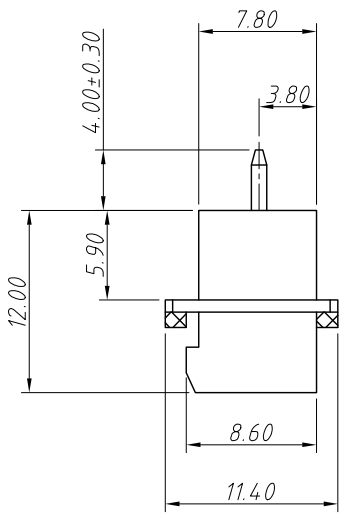
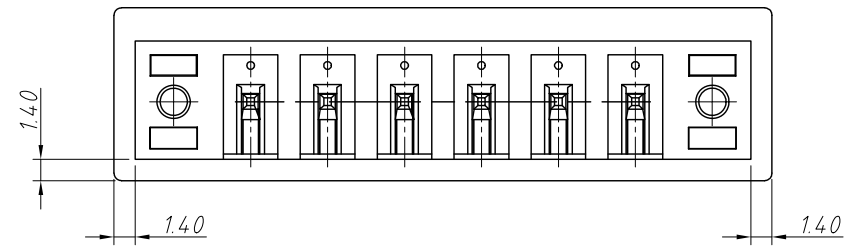


1
RoHS Compliance

6	7	8
REV	SYM	Revision Record
V0	KLS02006	New Version Release
		Appr.
		Song
		Date
		2024-09-24



Recommended PCB Layout



Electrical Characteristics	UL	IEC
Rated Voltage	300V	250V
Rated Current	10A	10A
Withstand Voltage	1600V / 1min	4.0KV

Material and other:
Housing:PA66, UL 94V-0
Clamp:Copper Alloy,Sn Plated
Nut:Copper Alloy,M2.5
Operating Temperature:-40°C ~ +105°C

Order Information
L-KLS2-CDGVM-5.08-XXP-X

RoHS
Terminal Block
Pitch:5.08mm
No.:Of (02~24) Pins

Color:
1=Gray 2=Blue 3=Black
4=Green 5=Orange 6=Red
7=Transp 8=Yellow 9=White

ANGLE TOLERANCE	PROJECTION	Description:
±3°		Pitch 5.08 mm Pluggable Terminal Block ,Socket
GENERAL TOLERANCE	UNITS	mm
.x ±0.30	SHEET SIZE	A4
.xx ±0.20	Draw:	WuHao 2024-10-25
.xxx ±0.10	Check:	Daniel 2024-10-25
		KLS P/N: L-KLS2-CDGVM-5.08-XXP-X
		NingBo KLS ELECTRONIC CO.,L TD.