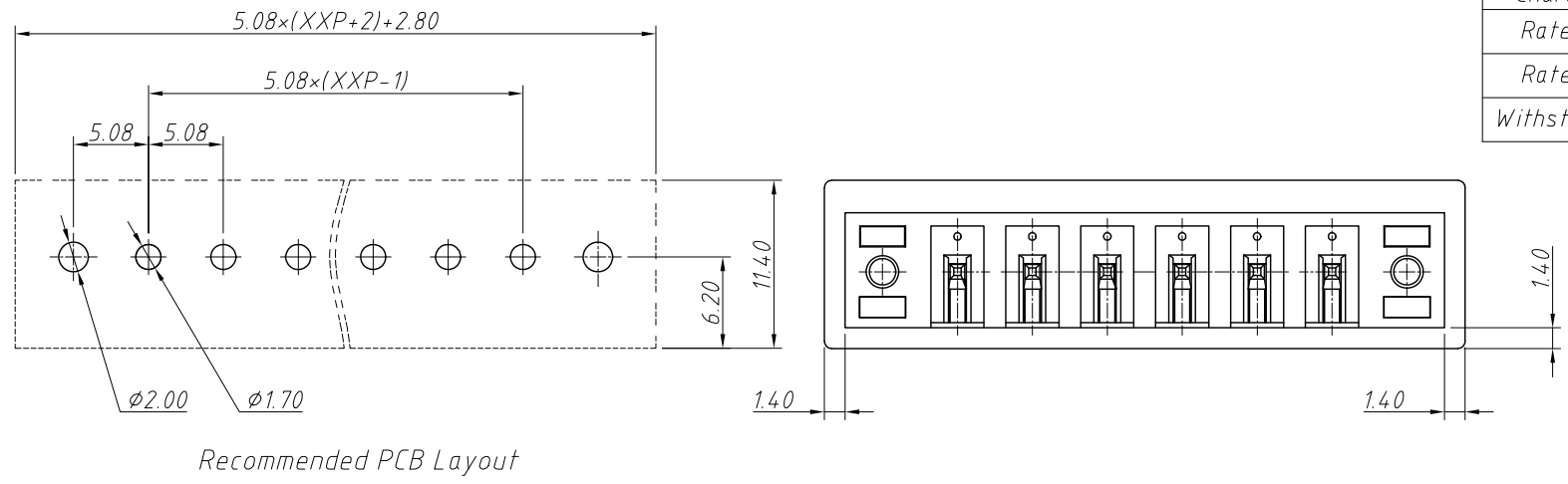


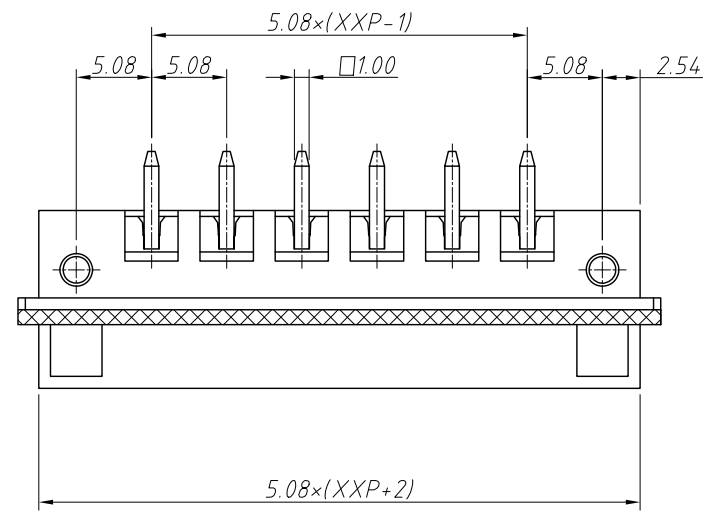
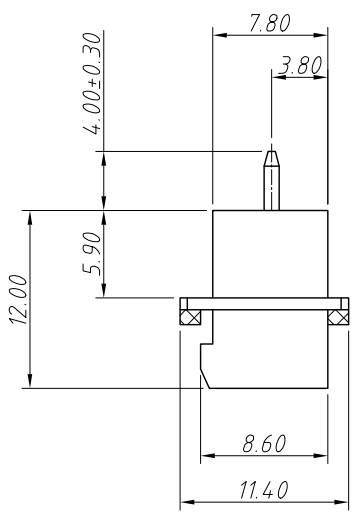
1 RoHS Compliance

6	7	8
REV	SYM	Revision Record
V0	KLS02006	New Version Release
		Appr.
		WuHao
		Date
		2024-09-25



Electrical Characteristics	UL	IEC
Rated Voltage	300V	250V
Rated Current	10A	10A
Withstand Voltage	1600V/1 min	4.0KV

Material and other:  
 Housing:PA66, UL 94 V-0  
 Clamp:Copper Alloy,Sn Plated  
 NUT:Copper Alloy,M2.5  
 Operating Temperature:-40°C ~ +105°C



Order Information  
**L-KLS2-CDGVC-5.08-XXP-X**

RoHS  
 Terminal Block  
 Pitch:5.08mm  
 No.:Of (02~24) Pin  
 Color:

1=Gray    2=Blue    3=Black  
 4=Green    5=Orange    6=Red  
 7=Transp    8=Yellow    9=White

ANGLE TOLERANCE	PROJECTION	Description:
±3°		Pitch 5.08mm Pluggable Terminal Block,Socket
GENERAL TOLERANCE	UNITS	mm
0~30	±0.50	SHEET SIZE
30~60	±0.75	Draw:
60~90	±1.00	Check:
		WuHao
		Daniel
		2024-09-25
		2024-09-25
		KLS
		NingBo KLS ELECTRONIC CO.,L TD.