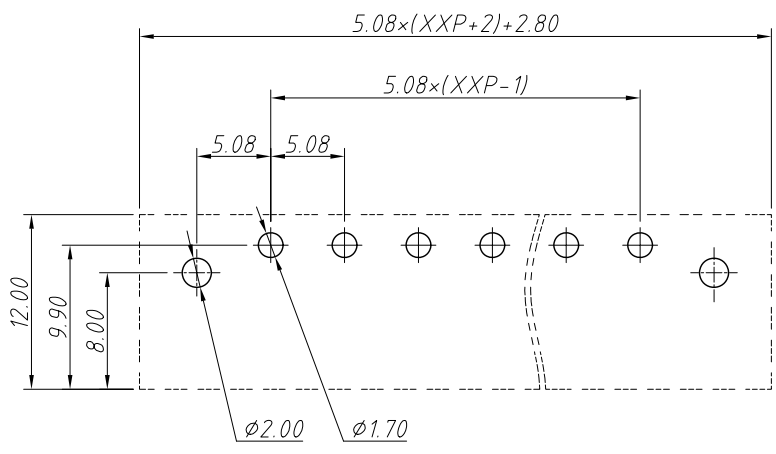


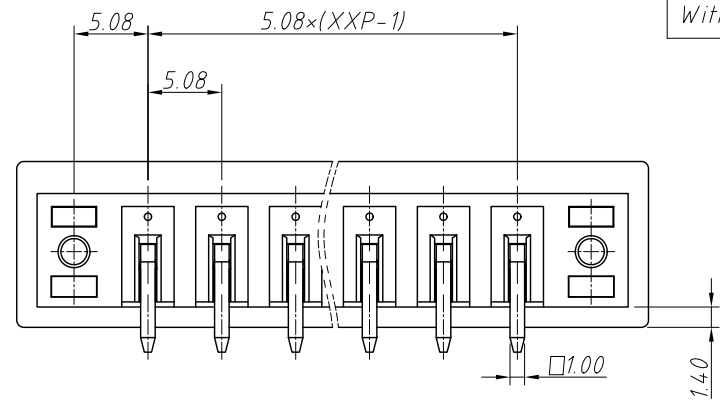
1
RoHS Compliance

REV	SYM	Revision Record	Appr.	Date
V0	KLS02006	New Version Release	WuHao	2024-09-25

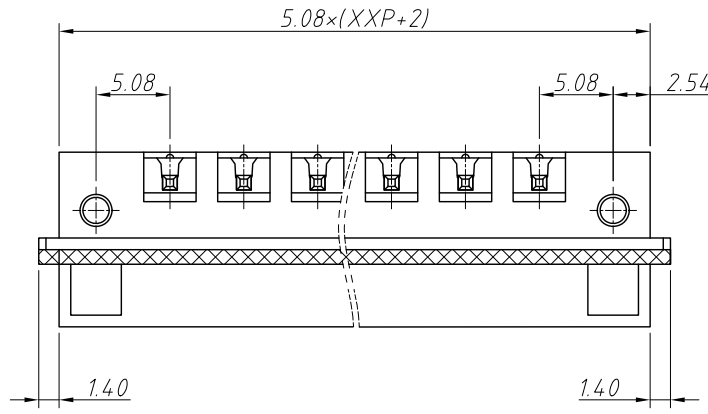
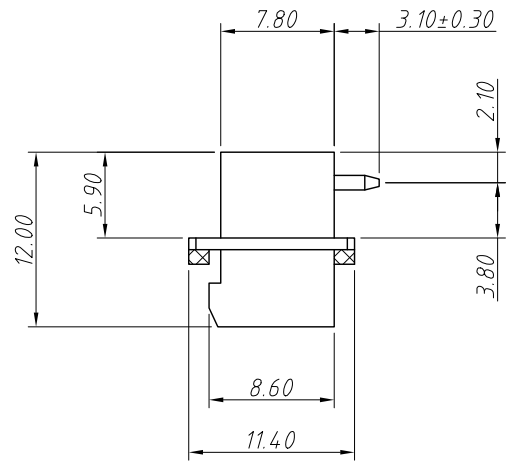
Electrical Characteristics	UL	IEC
Rated Voltage	300V	250V
Rated Current	10A	10A
Withstand Voltage	1600V/1 min	4.0KV



Recommended PCB Layout



Material and other:
 Housing:PA66, UL 94V-0
 Clamp:Copper Alloy,Sn Plated
 Nut:Copper Alloy,M2.5
 Dust Mat:EVA,UL 94V-0
 Operating Temperature:-40°C ~ +105°C



Order Information
L-KLS2-CDGRM-5.08-XXP-X

RoHS
 Terminal Block
 Pitch:5.08mm
 No.:Of (02~24) Pin
 Color:

1=Gray	2=Blue	3=Black
4=Green	5=Orange	6=Red
7=Transp	8=Yellow	9=White

ANGLE TOLERANCE	PROJECTION	Description:
±3°		Pitch 5.08mm Pluggable Terminal Block,Socket
GENERAL TOLERANCE	UNITS	mm
0~30	±0.50	SHEET SIZE
30~60	±0.75	Draw:
60~90	±1.00	Check:
		WuHao 2024-09-25
		Daniel 2024-09-25
		KLS NingBo KLS ELECTRONIC CO.,L TD.