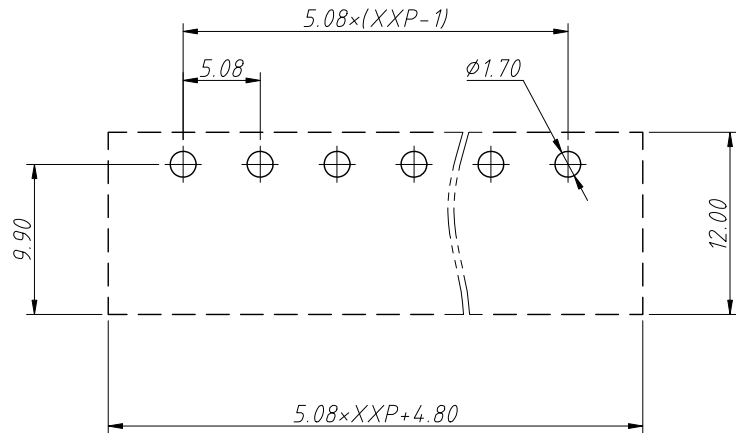
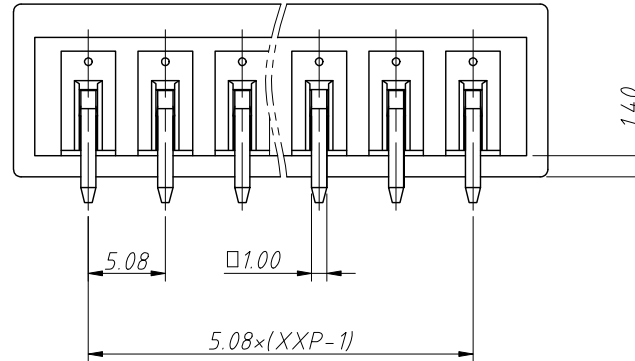


1 RoHS Compliance

REV	SYM	Revision Record	Appr.	Date
V0	KLS02006	New Version Release	Jenny	2024-08-15

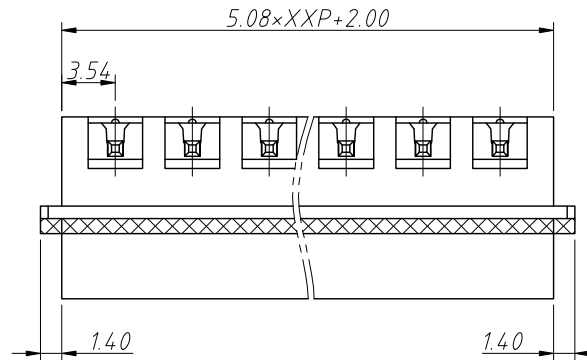
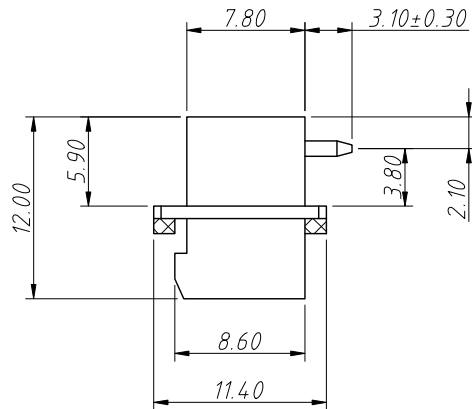


Recommended PCB Layout



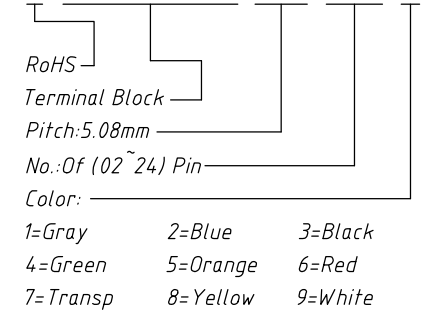
Electrical Characteristics	UL	IEC
Rated Voltage	300V	250V
Rated Current	10A	10A
Withstand Voltage	1600V / 1min	4.0KV

Material and other:
 Housing: PA66, UL 94V-0
 Clamp: Copper alloy, Sn Plated
 Temp. Range: -40°C ~ +105°C



Order Information

L-KLS2-CDGRC-5.08-XXP-4



- 1=Gray 2=Blue 3=Black
- 4=Green 5=Orange 6=Red
- 7=Transp 8=Yellow 9=White

ANGLE TOLERANCE	PROJECTION	Description:
±3°		Pitch 5.08mm Pluggable Terminal Block ,Socket
GENERAL TOLERANCE	UNITS	mm
0~30	±0.50	SHEET SIZE
30~60	±0.75	Draw:
60~90	±1.00	Check:
		KLS P/N:
		L-KLS2-CDGRC-5.08-XXP-4
		NingBo KLS ELECTRONIC CO.,L TD.