

1  
RoHS Compliance

REV	SYM	Revision Record	Appr.	Date
V0	KLS02006	New Version Release	WuHao	2024-09-26

A

B

C

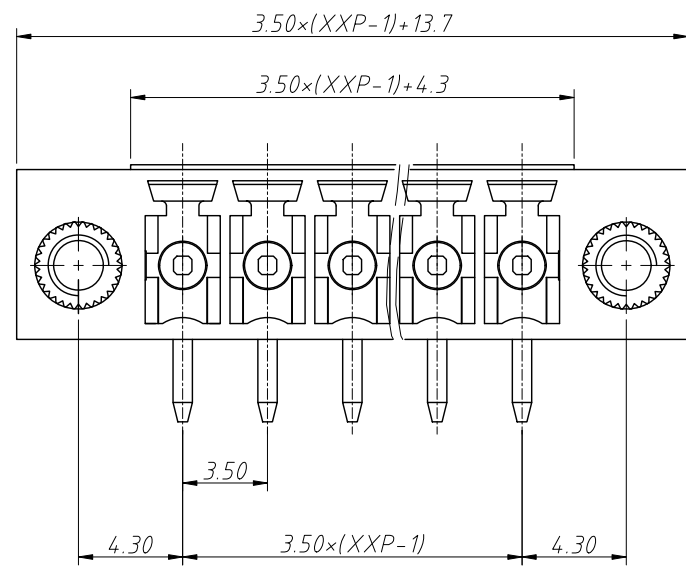
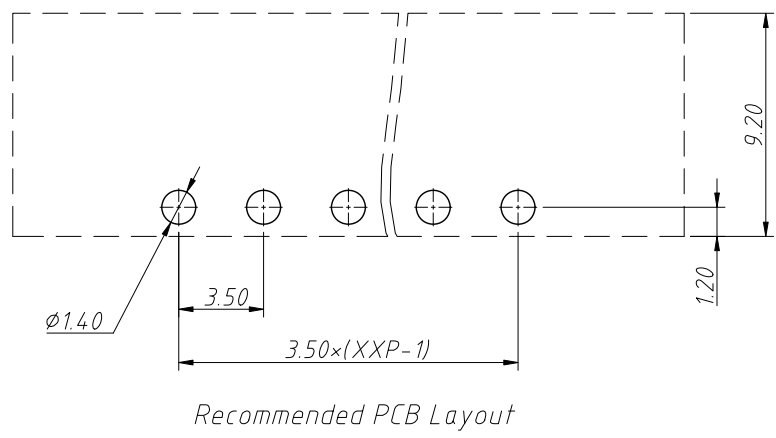
D

E

F

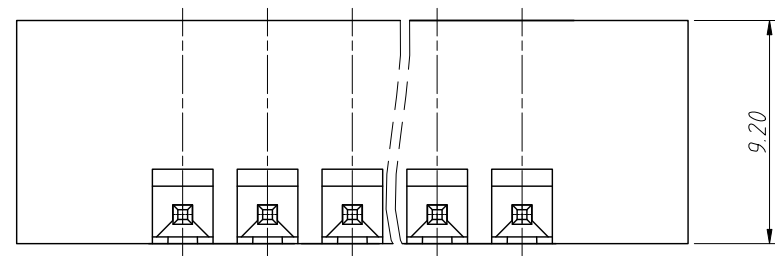
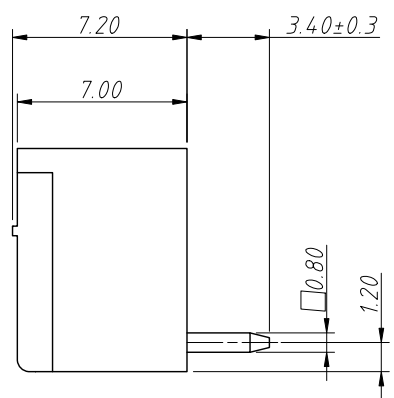
G

H



Electrical Characteristics	UL	IEC
Rated Voltage	300V	160V
Rated Current	8A	7A
Withstand Voltage	1600V/1 min	2.5KV

Material and other:  
 Housing:PA66,UL 94 V-0  
 Pin:Copper Alloy,Sn Plated  
 Nut:Copper Alloy,M2.5  
 Operating Temperature:-40°C ~ +105°C  
 Soldering Temperature:260°C/5S

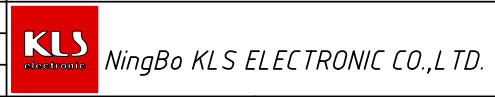


Order Information  
 L-KLS2-EDRMG-3.50-XXP-X

RoHS  
 Terminal Block  
 Pitch:3.50mm  
 No.:Of (02~24) Pin  
 Color:

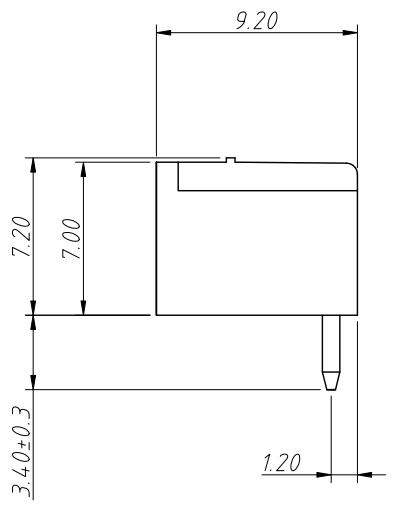
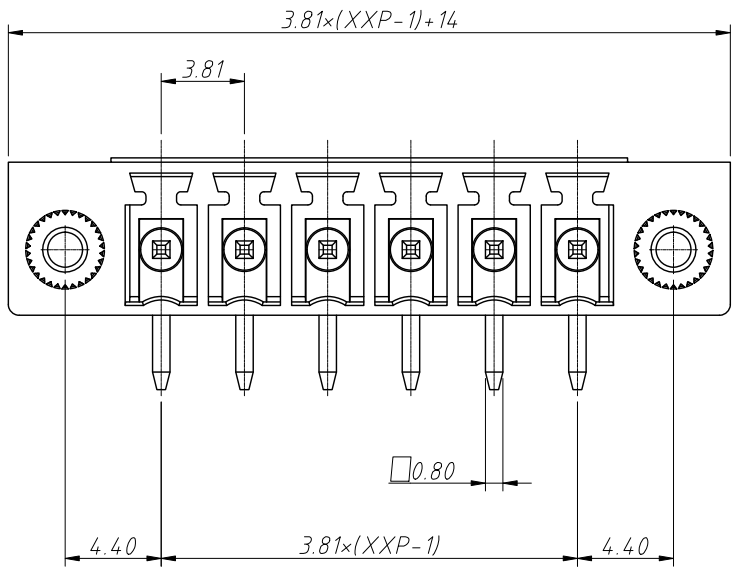
1=Gray	2=Blue	3=Black
4=Green	5=Orange	6=Red
7=Transp	8=Yellow	9=White

ANGLE TOLERANCE	PROJECTION	Description:
±3°		Pitch 3.50mm Pluggable Terminal Block,Socket
GENERAL TOLERANCE	UNITS	mm
0~30	±0.50	SHEET SIZE
30~60	±0.75	Draw:
60~90	±1.00	Check:
		KLS P/N:
		L-KLS2-EDRMG-3.50-XXP-X
		2024-09-26
		2024-09-26



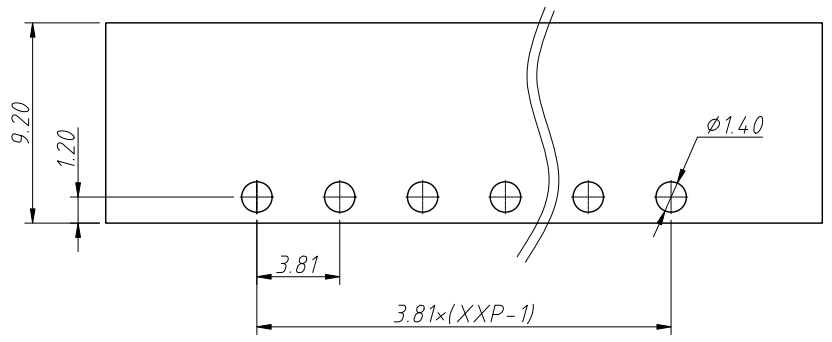
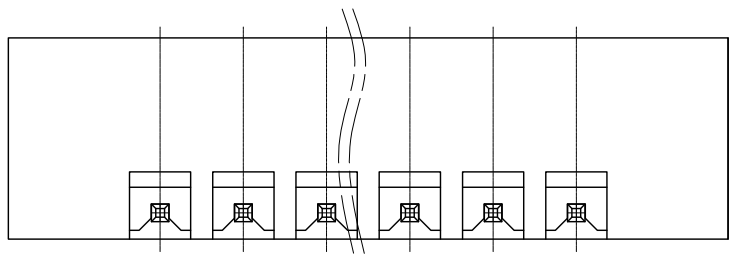
1 RoHS Compliance

REV	SYM	Revision Record	Appr.	Date
V0	KLS02006	New Version Release	WuHao	2024-09-26



Electrical Characteristics	UL	IEC
Rated Voltage	300V	160V
Rated Current	8A	7A
Withstand Voltage	1600V/1 min	2.5KV

Material and other:  
 Housing: PA66, UL 94 V-0  
 Pin: Copper Alloy, Sn Plated  
 Nut: Copper Alloy, M2.5  
 Operating Temperature: -40°C ~ +105°C  
 Soldering Temperature: 260°C/5S



Recommended PCB Layout

Order Information  
 L-KLS2-EDRMG-3.81-XXP-X  
 RoHS  
 Terminal Block  
 Pitch: 3.81mm  
 No. Of (02~24) Pin  
 Color:  
 1=Gray    2=Blue    3=Black  
 4=Green    5=Orange    6=Red  
 7=Transp    8=Yellow    9=White

ANGLE TOLERANCE	PROJECTION	Description:
±3°		Pitch 3.81mm Pluggable Terminal Block, Socket
GENERAL TOLERANCE	UNITS	mm
0~30	±0.50	
30~60	±0.75	
60~90	±1.00	
SHEET SIZE	A4	
Draw:	WuHao	2024-09-26
Check:	Daniel	2024-09-26
KLS P/N:		L-KLS2-EDRMG-3.81-XXP-X
NingBo KLS ELECTRONIC CO.,L TD.		