

1  
RoHS Compliance

6	7	8
REV	SYM	Revision Record
V0	KLS02006	New Version Release
		Appr.
		WuHao
		Date
		2024-10-28

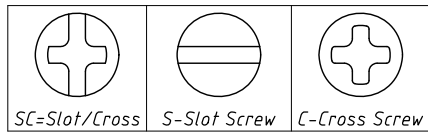
Electrical Characteristics	UL	IEC
Rated Voltage	300V	400V
Rated Current	15A	12A
Withstand Voltage	1600V/1 min	6.0 KV
Wire Range	28~12 AWG	0.2~2.5mm <sup>2</sup>

Material and other:  
Housing:PA66, UL94V-0  
Pin Header:Copper Alloy,Sn Plated  
Screw/Torque:M3/0.5N.m  
Stripping Length:7~8mm  
Operating temperature:-40°C ~ +105°C

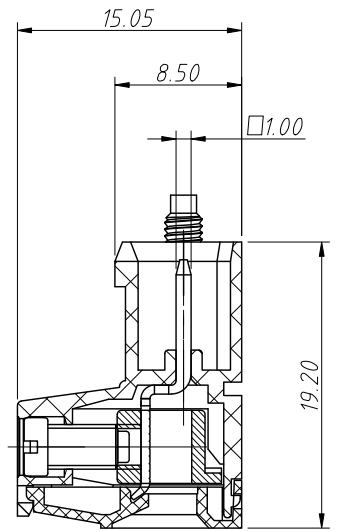
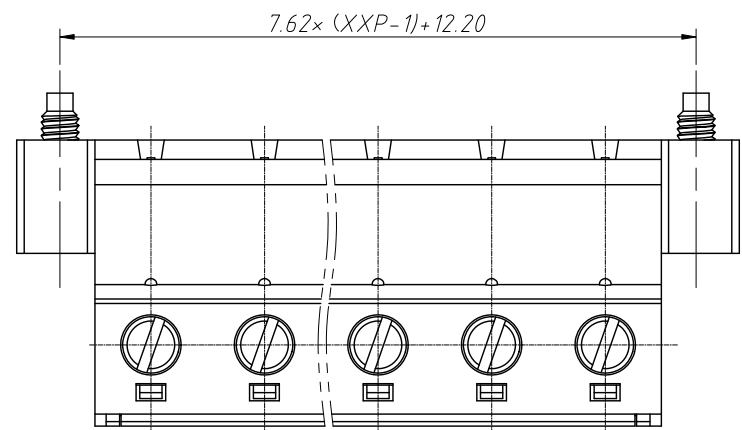
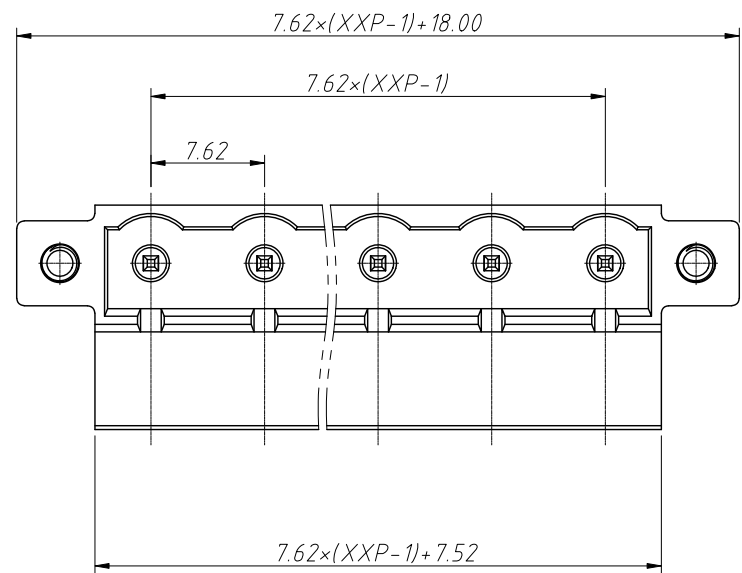
Order Information  
L-KLS2-DGNKR-7.62-XXP-4 C 09

RoHS  
Terminal Block  
Pitch:7.62mm  
No.:Of (02~24) Pin  
Color:  
1=Gray 2=Blue 3=Black  
4=Green 5=Orange 6=Red  
7=Transp 8=Yellow 9=White

Screw:SC=Slot/Cross  
S-Slot Screw C-Cross Screw



Product Code:00~99



ANGLE TOLERANCE	PROJECTION	Description:
±3°		Pitch 7.62mm Terminal Block
GENERAL TOLERANCE	UNITS	KLS P/N:
0~30 ±0.50	mm	L-KLS2-DGNKR-7.62-XXP-4C09
30~60 ±0.75	SHEET SIZE	
60~90 ±1.00	A4	
	Draw:	WuHao 2024-10-28
	Check:	Daniel 2024-10-28

