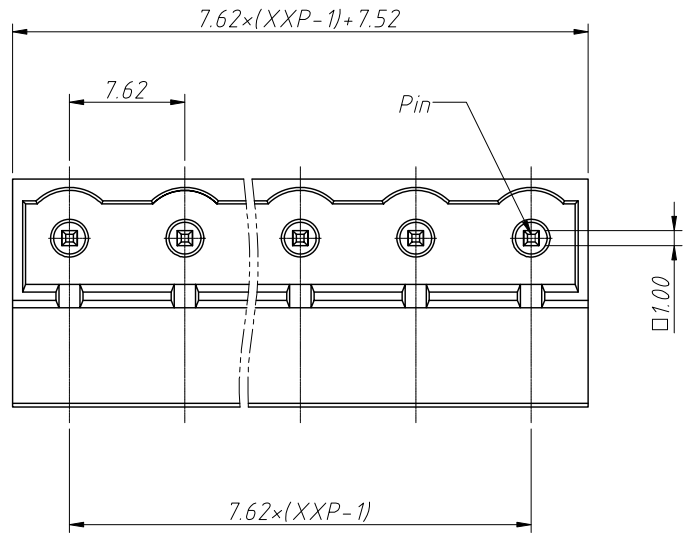


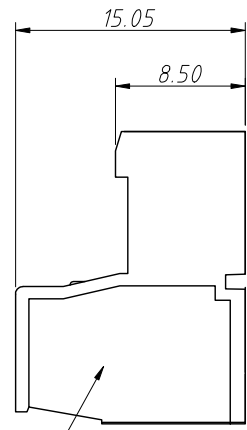
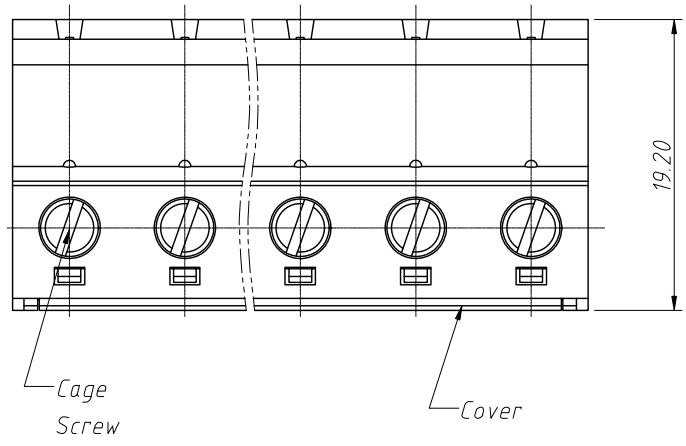
1
RoHS Compliance

6	7		8		
REV	SYM	Revision Record		Appr.	Date
V0	KLS02006	New Version Release		Jenny	2024-08-20



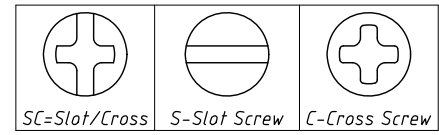
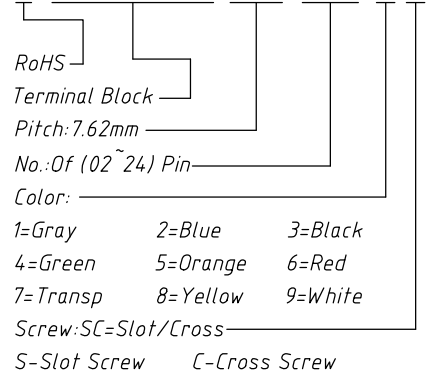
Material and other:
Housing: PA66, UL 94V-0
Cover: PA66, UL 94V-0
Pin: Copper alloy, Sn Plated
Cage: Copper alloy, Ni Plated
Screw: Steel, M3/Zn Plated
Screw Torque: M3/0.5Nm max
Stripping Length: 7-8mm
Operating temperature: $-40^{\circ}\text{C} \sim +105^{\circ}\text{C}$

Electrical Characteristics	UL	IEC
Rated Voltage	300V	400V
Rated Current	15A	12A
Withstand Voltage	1600V / 1min	6.0KV
Wire Range	12 ~ 28 AWG	0.2 ~ 2.5mm ²



Order Information

L-KLS2-DGKR-7.62-XXP-4 X



ANGLE TOLERANCE		PROJECTION		Description:	
$\pm 3^{\circ}$				Pitch 7.62mm Pluggable Terminal Block, Plug	
GENERAL TOLERANCE		UNITS	mm	KLS P/N:	L-KLS2-DGKR-7.62-XXP-4X
0 ~ 30	± 0.50	SHEET SIZE	A4		
30 ~ 60	± 0.75	Draw:	Jenny	2024-08-20	NingBo KLS ELECTRONIC CO.,L TD.
60 ~ 90	± 1.00	Check:	Daniel	2024-08-20	