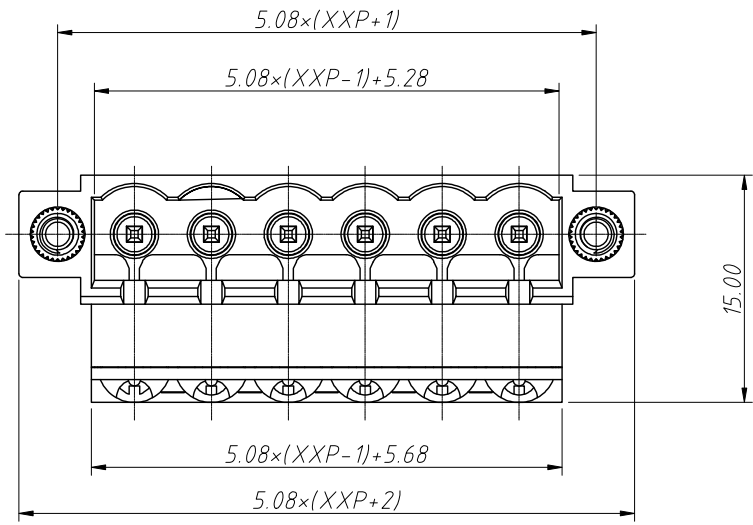


1
RoHS Compliance

REV	SYM	Revision Record	Appr.	Date
V0	KLS02006	New Version Release	Jenny	2024-08-20

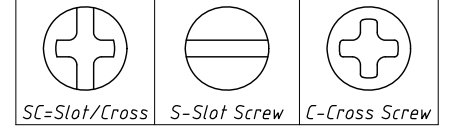
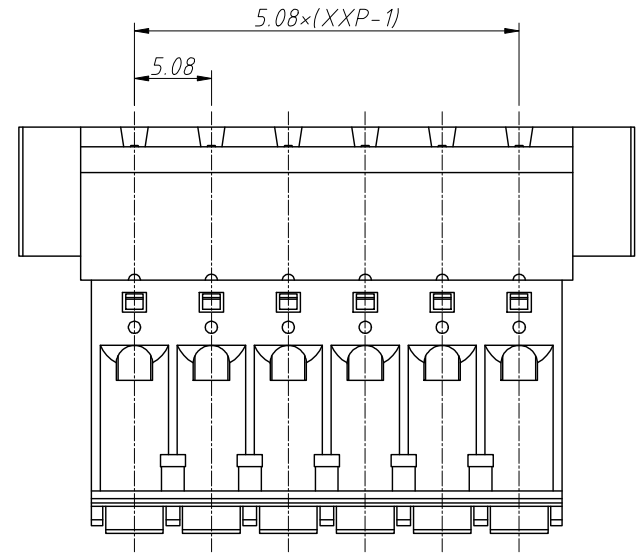
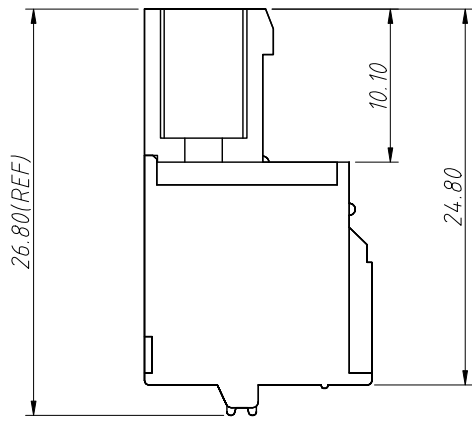
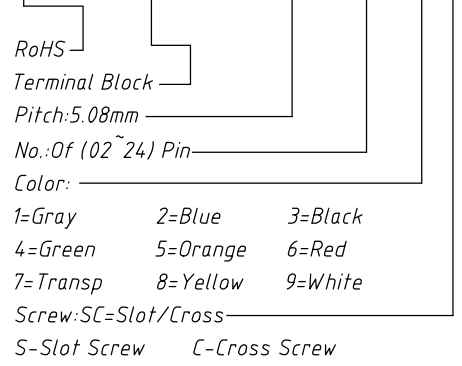
Material and other:
 Housing:PA66, UL94V-0
 Cover:PA66, UL94V-0
 Pin:Copper alloy,Sn Plated
 Spring:Stainless steel
 Button:POM,UL94-HB
 Nut:Copper alloy,M2.5
 Screw Torque:0.4Nm max
 Stripping Length:7-8mm
 Operating temperature:-40°C ~ +105°C

Electrical Characteristics	UL	IEC
Rated Voltage	300V	320V
Rated Current	10A	12A
Withstand Voltage	1600V / 1min	4.0
Wire Range	12~28 AWG	0.2-2.5mm ²



Order Information

L-KLS2-EDKDRN-5.08-XXP-4 X



ANGLE TOLERANCE	PROJECTION	Description:
±3°		Pitch 5.08mm Pluggable Terminal Block,Plug
GENERAL TOLERANCE	UNITS	mm
0~30 ±0.50	SHEET SIZE	A4
30~60 ±0.75	Draw:	Jenny 2024-08-20
60~90 ±1.00	Check:	Daniel 2024-08-20
KLS P/N:		L-KLS2-EDKDRN-5.08-XXP-4X

