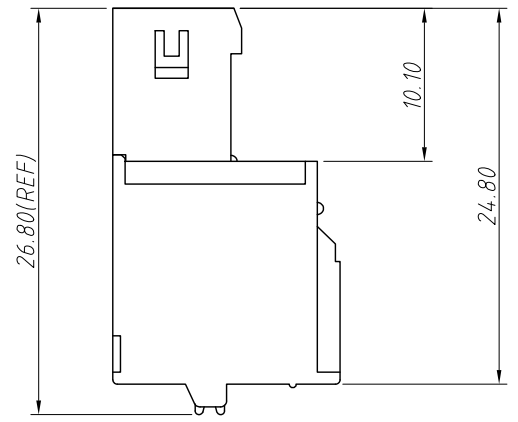
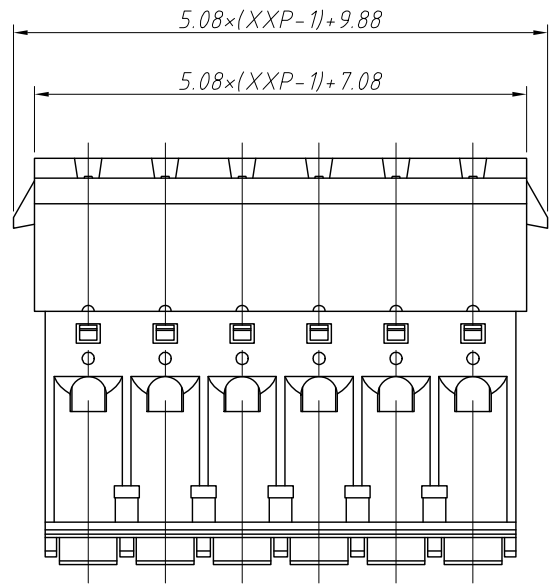
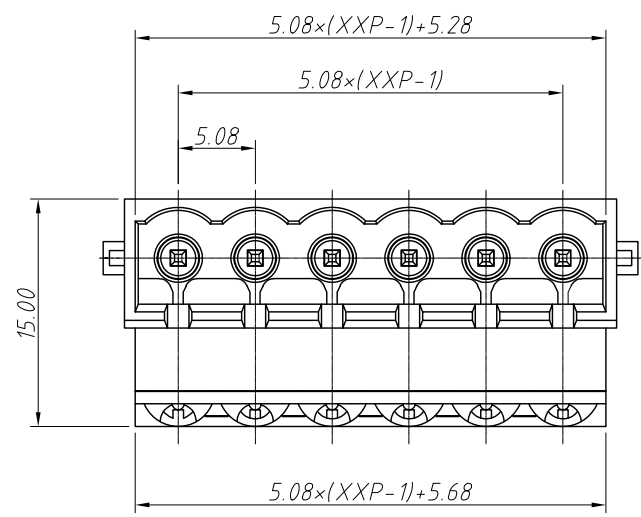


1
RoHS Compliance

6	7	8
REV	SYM	Revision Record
V0	KLS02006	New Version Release
		Appr. Jenny
		Date 2024-08-20



Electrical Characteristics	UL	IEC
Rated Voltage	300V	320V
Rated Current	10A	12A
Withstand Voltage	1600V / 1min	4.0KV
Wire Range	12 ~ 28 AWG	0.2 ~ 2.5mm ²

Material and other:
 Housing: PA66, UL 94V-0
 Cover: PA66, UL 94V-0
 Button: POM, UL 94-HB
 Spring: Stainless steel
 Pin: Copper alloy, Sn Plated
 Stripping Length: 7-8mm
 Operating temperature: -40°C ~ +105°C

Order Information
 L-KLS2-EDKDRG-5.08-XXP-4

RoHS
 Terminal Block
 Pitch: 5.08mm
 No.: Of (02 ~ 24) Pin
 Color:

1=Gray 2=Blue 3=Black
 4=Green 5=Orange 6=Red
 7=Transp 8=Yellow 9=White

ANGLE TOLERANCE	PROJECTION	Description:
$\pm 3^\circ$		Pitch 5.08mm Pluggable Terminal Block, Plug
GENERAL TOLERANCE	UNITS	mm
0 ~ 30	± 0.50	
30 ~ 60	± 0.75	
60 ~ 90	± 1.00	
SHEET SIZE	A4	
Draw:	Jenny	2024-08-20
Check:	Daniel	2024-08-20
KLS ELECTRONIC		NingBo KLS ELECTRONIC CO.,L TD.