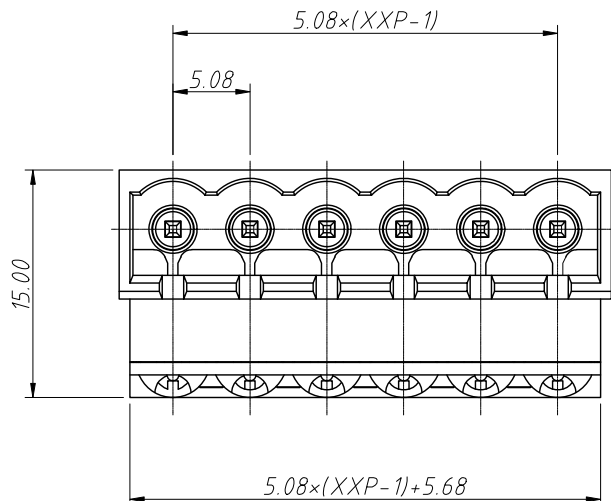


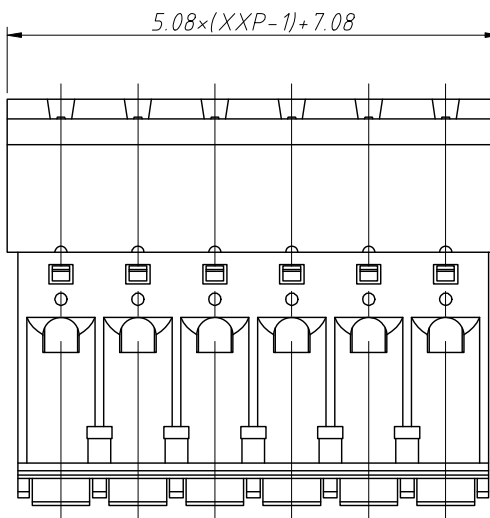
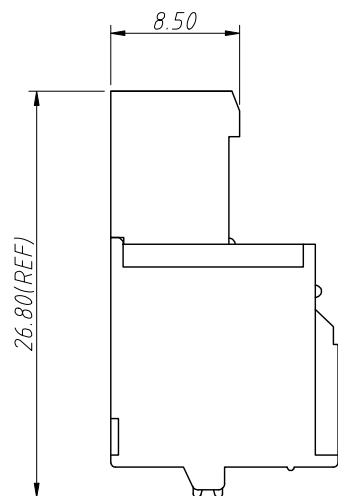
1 RoHS Compliance

6	7	8
REV	SYM	Revision Record
V0	KLS02006	New Version Release
		Appr. Jenny
		Date 2024-08-20

Electrical Characteristics	UL	IEC
Rated Voltage	300V	320V
Rated Current	10A	12A
Withstand Voltage	1600V / 1min	4.0KV
Wire Range	12~28 AWG	0.2~2.5mm <sup>2</sup>



Material and other:  
 Housing:PA66, UL 94V-0  
 Cover:PA66, UL 94V-0  
 Button:POM,UL 94-HB  
 Spring:Stainless steel  
 Pin:Copper alloy,Sn Plated  
 Stripping Length:7-8mm  
 Operating temperature:-40°C ~ +105°C



Order Information

L-KLS2-EDKDR-5.08-XXP-4

RoHS  
 Terminal Block  
 Pitch:5.08mm  
 No.:Of (02~24) Pin  
 Color:  
 1=Gray 2=Blue 3=Black  
 4=Green 5=Orange 6=Red  
 7=Transp 8=Yellow 9=White

ANGLE TOLERANCE	PROJECTION	Description:
±3°		Pitch 5.08mm Pluggable Terminal Block,Plug
GENERAL TOLERANCE	UNITS	mm
0~30 ±0.50	SHEET SIZE	A4
30~60 ±0.75	Draw:	Jenny
60~90 ±1.00	Check:	Daniel
		2024-08-20
		2024-08-20
		L-KLS2-EDKDR-5.08-XXP-4



NingBo KLS ELECTRONIC CO.,L TD.