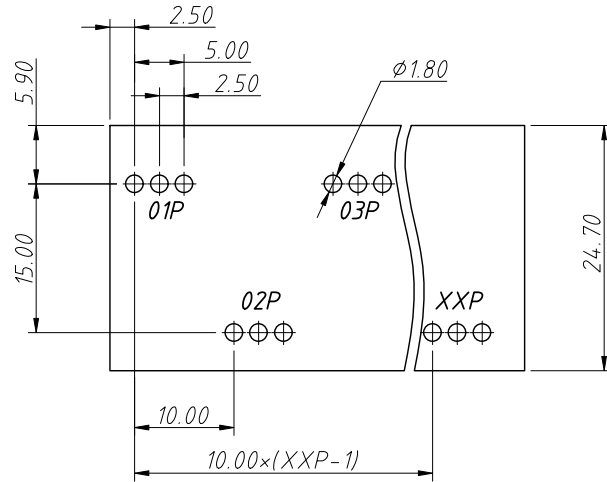
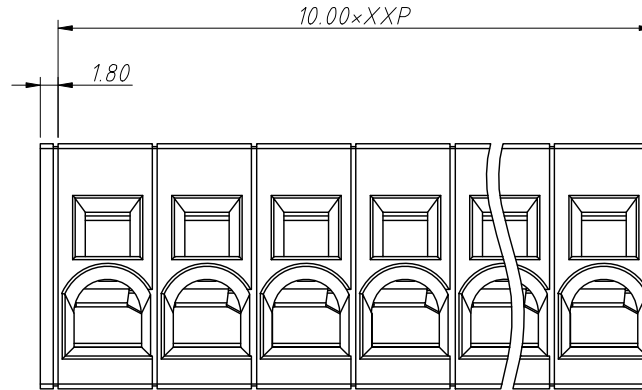


1 RoHS Compliance

REV	SYM	Revision Record	Appr.	Date
V0	KLS02006	New Version Release	Song	2024-09-07



Recommended PCB Layout



Electrical Characteristics	UL	IEC
Rated Voltage	600V	1000V
Rated Current	66A	76A
Withstand Voltage	2200V/1 min	8.0KV
Wire Range	4 ~ 18AWG	0.2 ~ 16mm ²

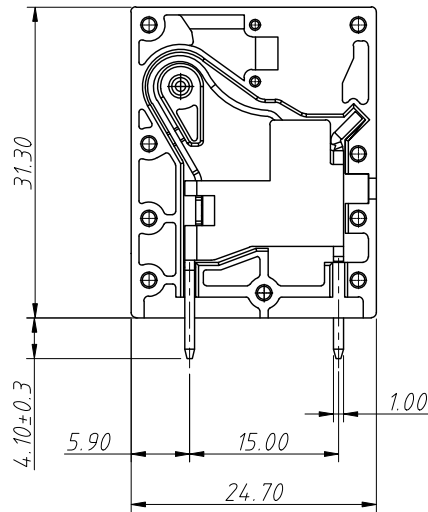
Material and other:

Housing: PA, UL 94V-0

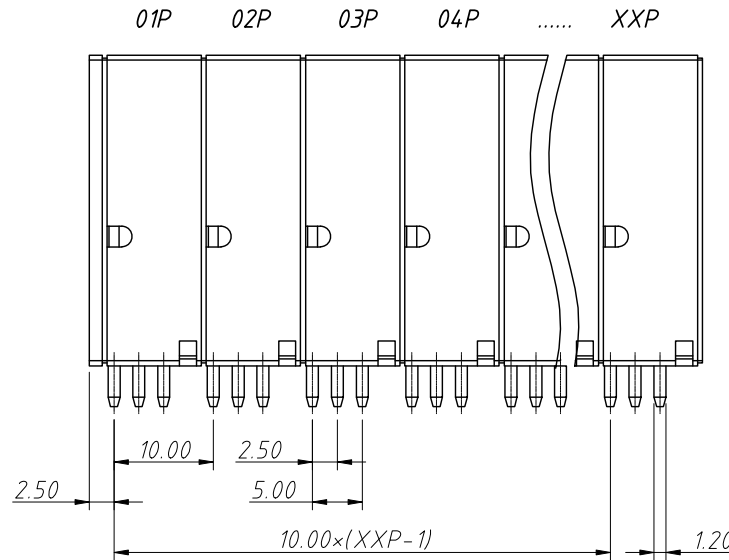
Pin Header: Copper Alloy, Sn Plated

Stripping Length: 18 ~ 19mm

Operating Temperature: -40°C ~ +105°C



Without Cover



Order Information

L-KLS2-262V-10.0-XXP-X

RoHS

Terminal Block

Pitch: 10.0mm

No.: Of (01 ~ XXP) Pins

Color: 1=Gray 2=Blue 3=Black

4=Green 5=Orange 6=Red

7=Transp 8=Yellow 9=White

ANGLE TOLERANCE	PROJECTION	Description:
±3°		10.0mm Spring Terminal Blocks
GENERAL TOLERANCE	UNITS	mm
0 ~ 30	±0.50	SHEET SIZE
30 ~ 60	±0.75	Draw:
60 ~ 90	±1.00	Check:
		KLS P/N:
		L-KLS2-262V-10.0-XXP-X
		2024-09-07
		2024-09-07



NingBo KLS ELECTRONIC CO.,L TD.