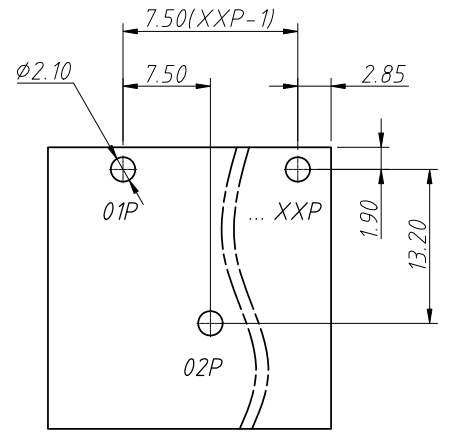
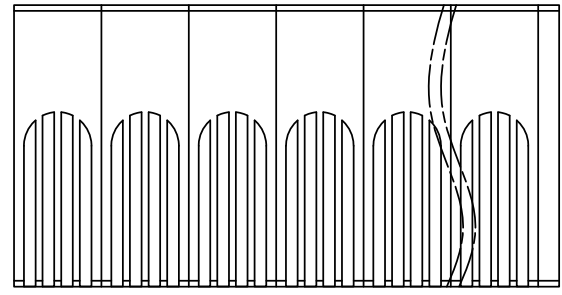


1  
RoHS Compliance

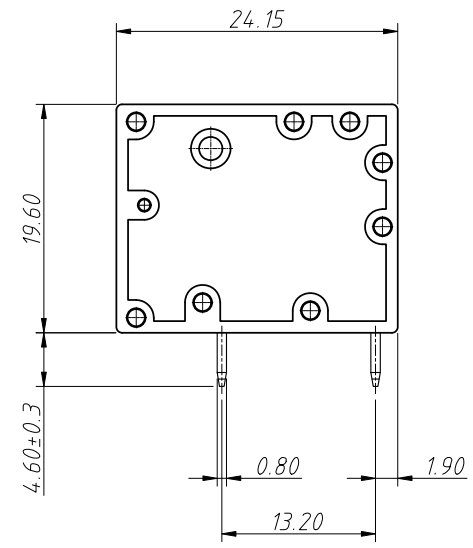
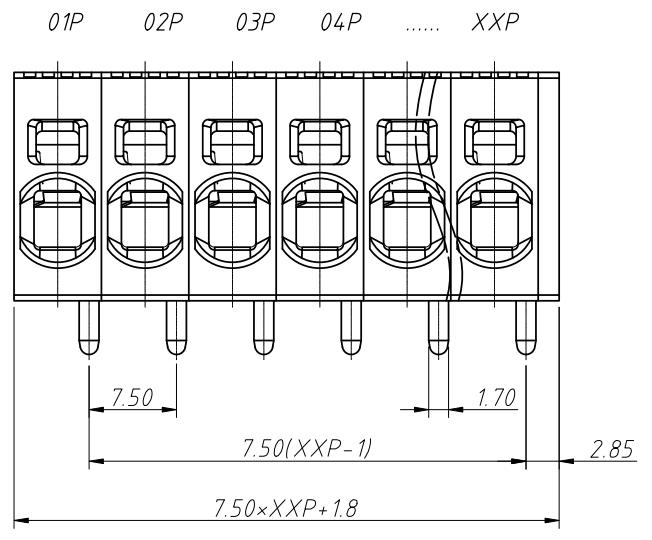
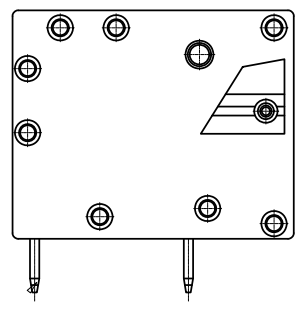
REV	SYM	Revision Record	Appr.	Date
V0	KLS02006	New Version Release	Song	2024-09-07

Electrical Characteristics	UL	IEC
Rated Voltage	600V	800V
Rated Current	40A	41A
Withstand Voltage	2200V/1min	8.0KV
Wire Range	24~8AWG	0.2~10mm <sup>2</sup>



Recommended PCB Layout

Material and other:  
 Housing+Cover:PA66, UL94V-0  
 Pin Header:Coppo Alloy,Sn Plated  
 Spring:Stainless Steel  
 Stripping Length:15mm  
 Operating Temperature:-40°C~+105°C



Order Information  
**L-KLS2-262R-7.50-XXP-X**

RoHS  
 Terminal Block  
 Pitch:7.50mm  
 No.:Of (02~18) Pins  
 Color:1=Gray 2=Blue 3=Black  
 4=Green 5=Orange 6=Red  
 7=Transp 8=Yellow 9=White

ANGLE TOLERANCE	PROJECTION	Description:	7.50mm Spring Terminal Blocks	
±3°				
GENERAL TOLERANCE	UNITS	mm	KLS P/N:	L-KLS2-262R-7.50-XXP-X
0~30	±0.50	SHEET SIZE	A4	
30~60	±0.75	Draw:	Song	2024-09-07
60~90	±1.00	Check:	Daniel	2024-09-07

