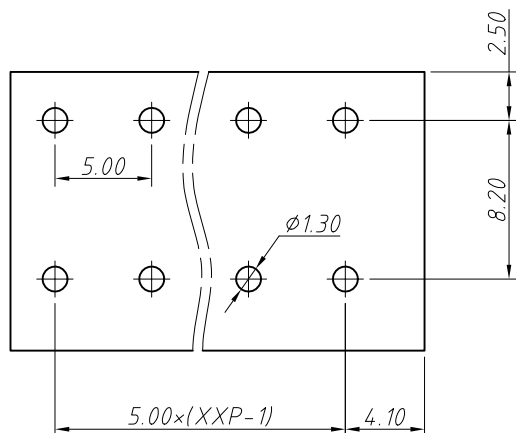
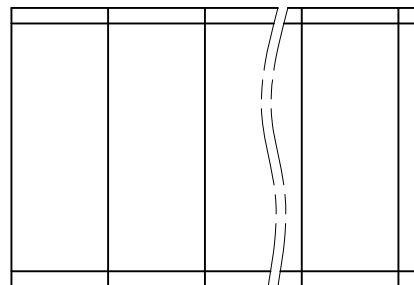


1 RoHS Compliance

REV	SYM	Revision Record	Appr.	Date
V0	KLS02006	New Version Release	Jenny	2022-11-07
V1	KLS02006	Technology Improvement	WuHao	2024-10-25



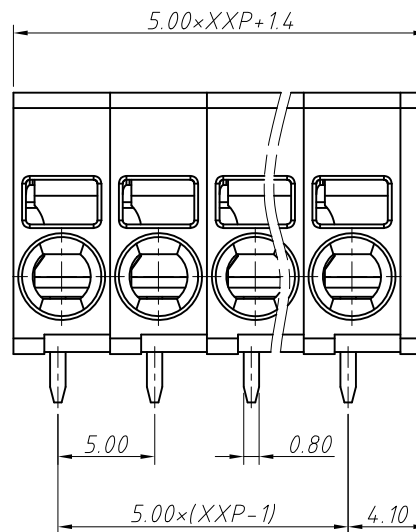
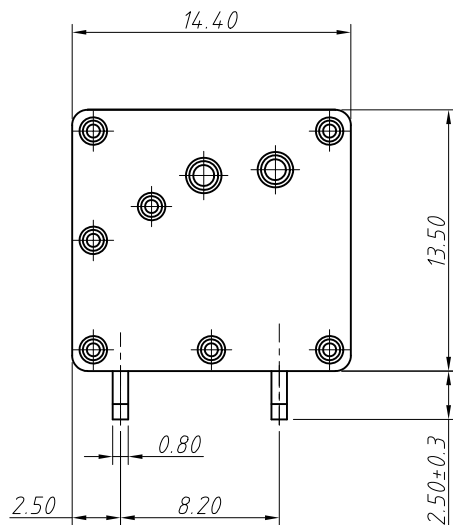
Recommended PCB Layout



Electrical Characteristics	UL	IEC
Rated Voltage	300V	250V
Rated Current	20A	24A
Withstand Voltage	1600V/1 min	4.0 KV
Wire Range	12~24 AWG	0.2~4.0 mm <sup>2</sup>

Material  
 Housing:PA66, UL94 V-0  
 Contactor:Copper Alloy,Sn Plated

Electrical  
 Operation Temperature:-40 °C ~ + 105°C  
 Stripping Length:9 ~ 10mm



Order Information

L-KLS2-262R-5.00-XXP-X

RoHS  
 Terminal Block  
 Pitch:5.00mm  
 No.: of (01~30) Pole  
 Color:  
 1=Gray 2=Blue 3=Black  
 4=Green 5=Orange 6=Red  
 7=Transp 8=Yellow 9=White

ANGLE TOLERANCE	PROJECTION	Description:
±3°		5.00mm Spring Terminal Blocks
GENERAL TOLERANCE	UNITS	mm
x.x ±0.30	SHEET SIZE	A4
x.xx ±0.20	Draw:	WuHao 2024-10-25
x.xxx ±0.10	Check:	Daniel 2024-10-25

NingBo KLS ELECTRONIC CO.,L TD.