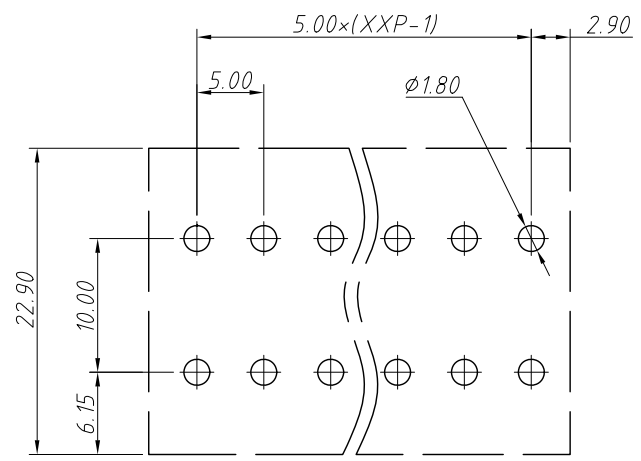
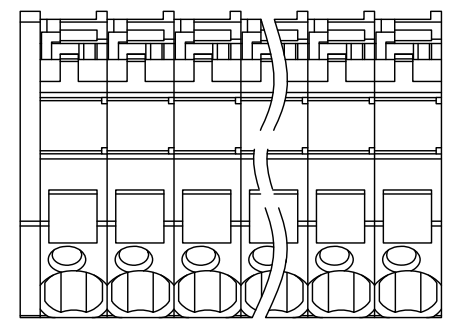


1
RoHS Compliance

6		7		8	
REV	SYM	Revision Record	Appr.	Date	
V0	KLS02006	New Version Release	Song	2024-08-28	

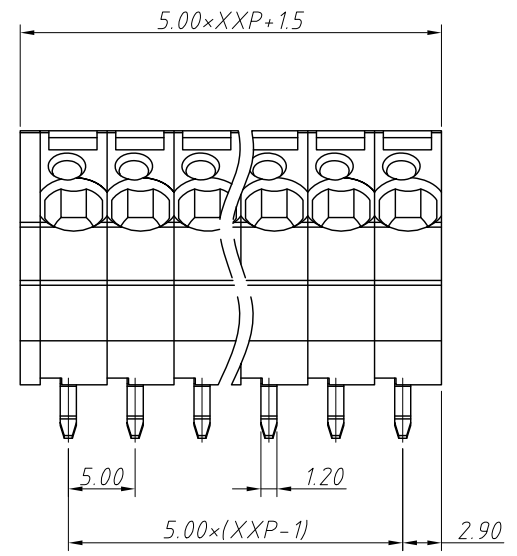
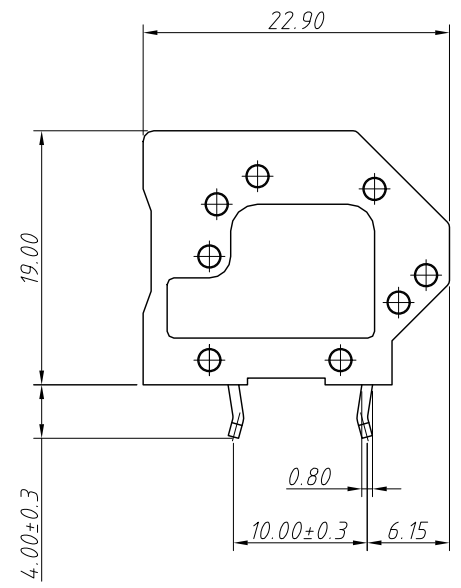


Recommended PCB Layout



Electrical Characteristics	UL	IEC
Rated Voltage	300V	320V
Rated Current	20A	32A
Withstand Voltage	1600V/1 min	4.0KV
Wire Range	28~12AWG	0.2~4.0mm ²

Material and other:
 Housing:PA66,UL 94V-0
 Pin Header:Coppo Alloy,Sn Plated
 Stripping Length:9~10mm
 Operating Temperature:-40°C~+105°C
 Soldering Temperature:260°C For 5S



Order Information
 L-KLS2-244-5.00-XXP-X
 RoHS
 Terminal Block
 Pitch:5.00mm
 No.:Of (01~24) Pins
 Color:1=Gray 2=Blue 3=Black
 4=Green 5=Orange 6=Red
 7=Transp 8=Yellow 9=White

ANGLE TOLERANCE	PROJECTION	Description:			
±3°		5.00mm Spring Terminal Blocks			
GENERAL TOLERANCE	UNITS	mm	KLS P/N:	L-KLS2-244-5.00-XXP-X	
0~30	±0.50	SHEET SIZE	A4		
30~60	±0.75	Draw:	Song	2024-08-28	
60~90	±1.00	Check:	Daniel	2024-08-28	

NingBo KLS ELECTRONIC CO.,L TD.