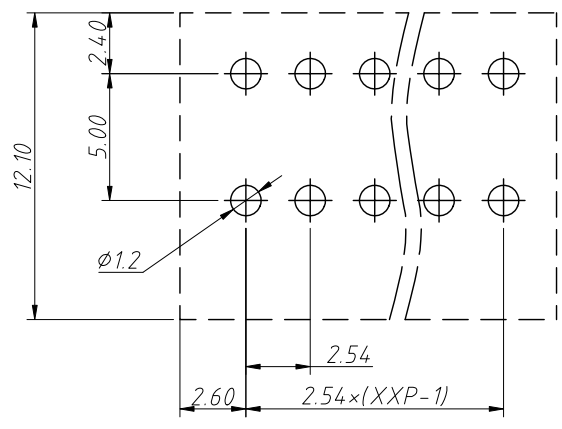
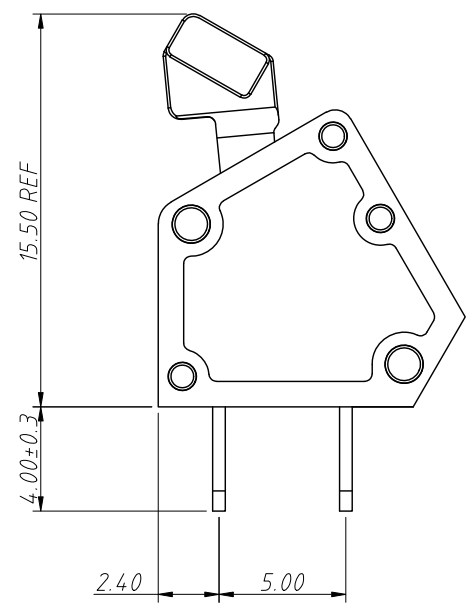
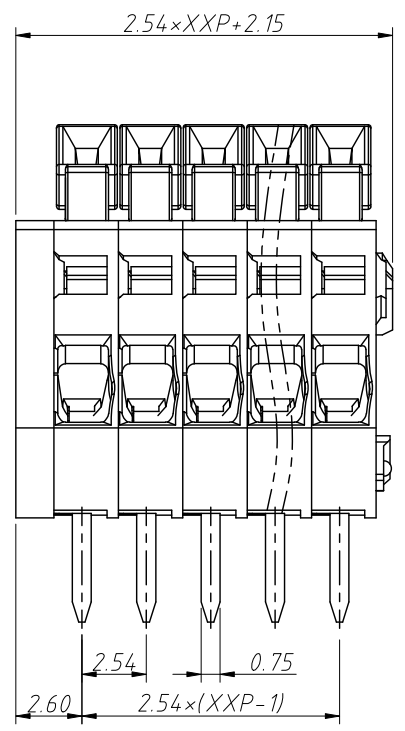
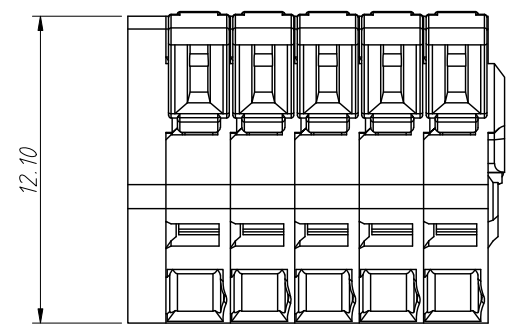


1
RoHS Compliance

6	7	8
REV	SYM	Revision Record
V0	KLS02006	New Version Release
		Appr. Song
		Date 2024-08-28



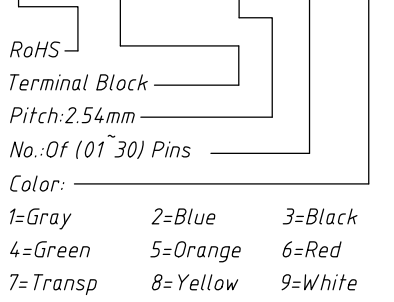
Recommended PCB Layout



Electrical Characteristics	UL	IEC
Rated Voltage	150V	63V
Rated Current	4A	6A
Withstand Voltage	1300V / 1min	2.5KV
Wire Range	28~20 AWG	0.2~0.5mm ²

Material and other:
 Housing:PA66, UL94V-0
 Pin:Copper Alloy,Sn Plated
 Stripping Length:5~6mm
 Operating Temperature:-40°C ~ +105°C

Order Information
 L-KLS2-213A-2.54-XXP-4



ANGLE TOLERANCE	PROJECTION	Description:
±3°		2.54mm Spring Terminal Block
GENERAL TOLERANCE	UNITS	mm
0~30 ±0.50	SHEET SIZE	A4
30~60 ±0.75	Draw:	Song
60~90 ±1.00	Check:	Daniel
		2024-08-28
		2024-08-28
		L-KLS2-213A-2.54-XXP-4

