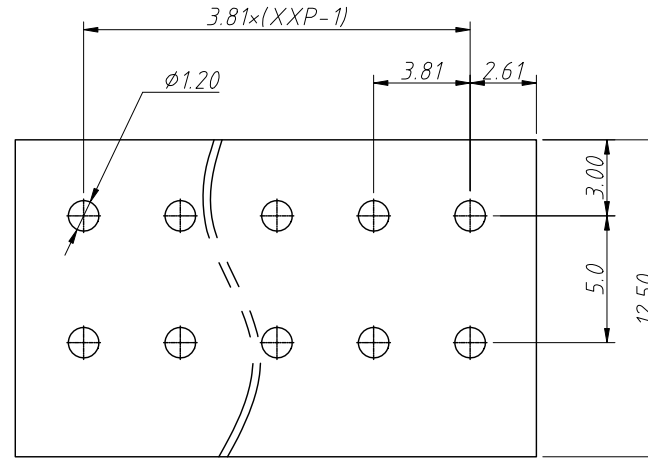
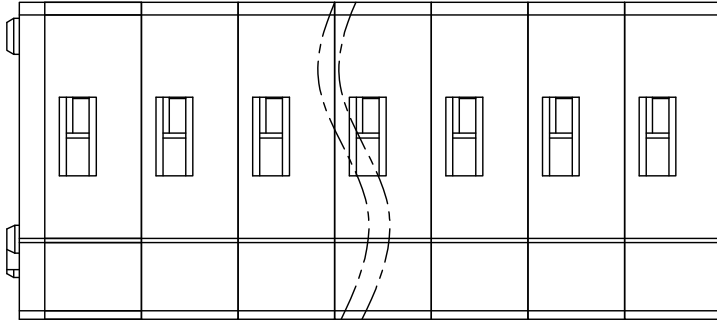


1 RoHS Compliance

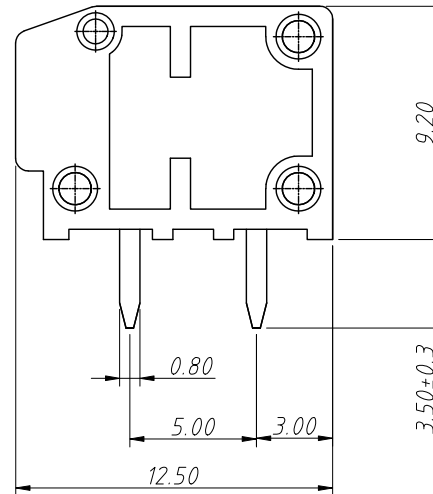
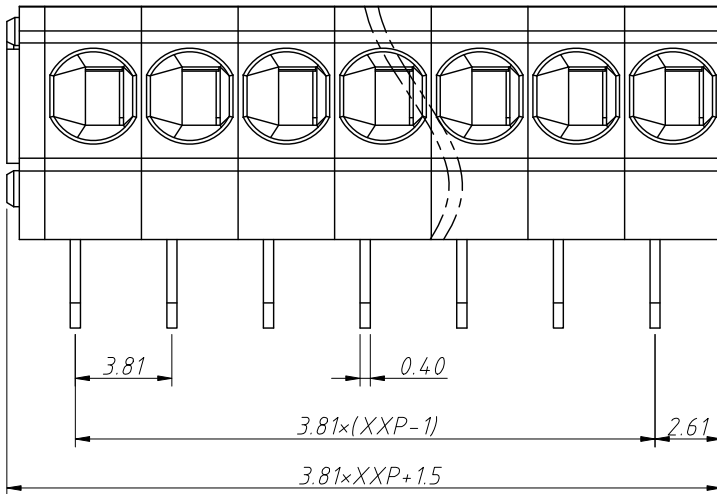
REV	SYM	Revision Record	Appr.	Date
V0	KLS02006	New Version Release	Song	2024-08-28

Electrical Characteristics	UL	IEC
Rated Voltage	300V	200V
Rated Current	5A	17.5A
Withstand Voltage	1600V/1 min	4.0KV
Wire Range	22~18AWG	0.5~1.5/0.75~1.5mm ²



Recommended PCB Layout

Material and other:
 Housing:PA66,UL 94V-0
 Pin Header:Coppy Alloy,Sn Plated
 Stripping Length:9-10mm
 Operating Temperature:-40°C ~ +105°C



Order Information

L-KLS2-235W-3.81-XXP-X

- RoHS
- Terminal Block
- Pitch:3.81mm
- No.:Of Pins(1~30)
- Color:1=Gray 2=Blue 3=Black
- 4=Green 5=Orange 6=Red
- 7=Transp 8=Yellow 9=White

ANGLE TOLERANCE	PROJECTION	Description:
±3°		3.81mm Spring Terminal Blocks
GENERAL TOLERANCE	UNITS	mm
0~30	±0.50	KLS P/N:
30~60	±0.75	L-KLS2-235W-3.81-XXP-X
60~90	±1.00	Draw: Song
	Check: Daniel	2024-08-28



NingBo KLS ELECTRONIC CO.,L TD.