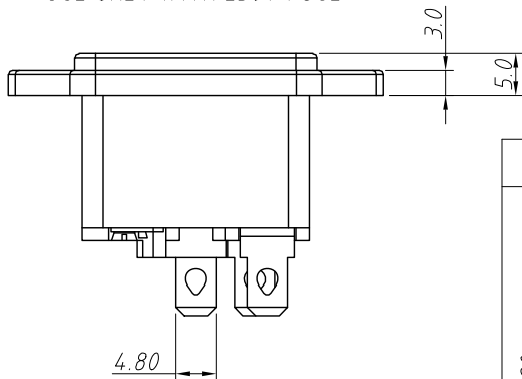
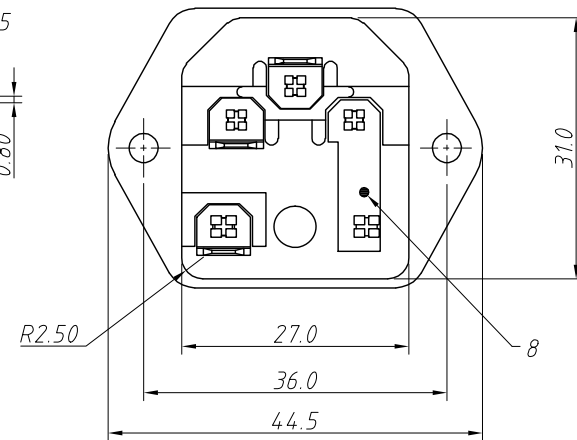
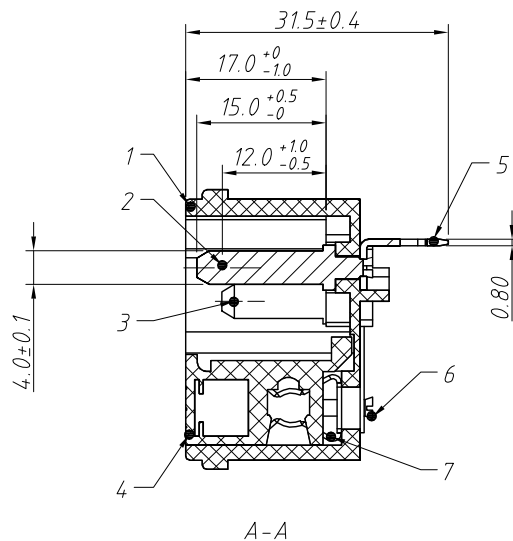
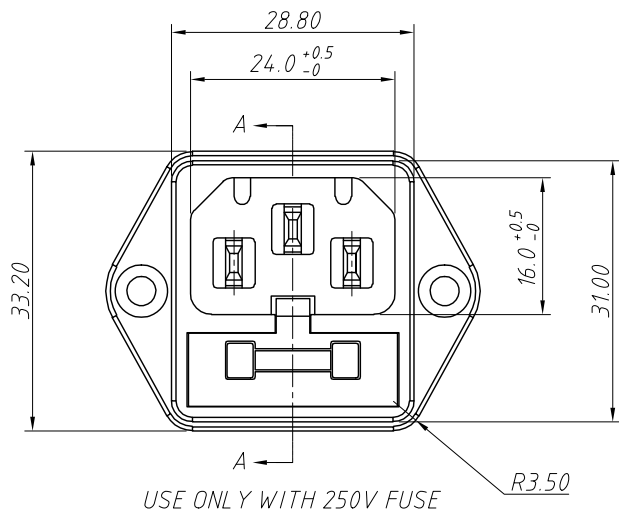


1 RoHS Compliance

7		8		
REV	SYM	Revision Record	Appr.	Date
V0	KLS01149	New Version Release	WuHao	2025-01-15



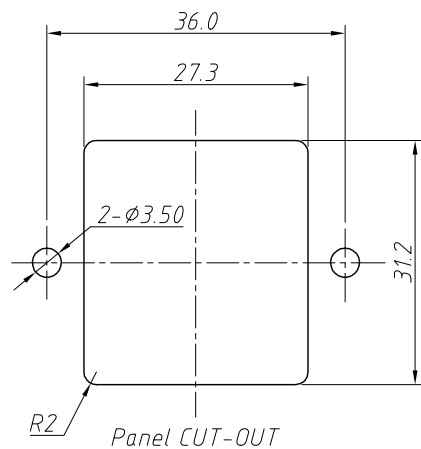
Fuse	Spec
	1A
	2A
	3.15A
	5A
	10A
	15A
	Customized

Material:

1. Base: PA66
2. Grounding pin: Brass t2.0, Ni Plating
3. Current-carrying pin: Brass t2.0, Ni Plating
4. Safety cover: PA66
5. Quick connect terminal: Brass t0.8, Tin Plating
6. Rivet: Brass t2.0, Ni Plating
7. Safety clip: Brass t2.0, Ni Plating
8. Connecting piece: Brass t0.5, Ni Plating

Electrical:

- Standard: IEC 60320-1, GB/T 17465.1
 Rating Voltage: 250V/AC 10A 3C TUV CE KC
 Fuse: 250V AC 6.3A 2.5W
 Withstand Voltage:
 Between All Terminals: 2500VAC (50-60Hz) 1 min
 Terminals To Base: 3750V AC (50-60Hz) 1 min
 Leakage Current: 1 mA
 Insulation Resistance: $\geq 100M\Omega$ 500V DC
 Glow-Wire Tep: 750°C



ANGLE TOLERANCE	PROJECTION	Description:		
±5°		C14 AC Power Sockets		
GENERAL TOLERANCE	UNITS	mm	KLS P/N:	L-KLS1-AS-301-11
30<x ±0.50	SHEET SIZE	A4		
5≤x≤30 ±0.30	Draw:	WuHao	2025-01-15	
x<5 ±0.20	Check:	Daniel	2025-01-15	

NingBo KLS ELECTRONIC CO.,LTD.