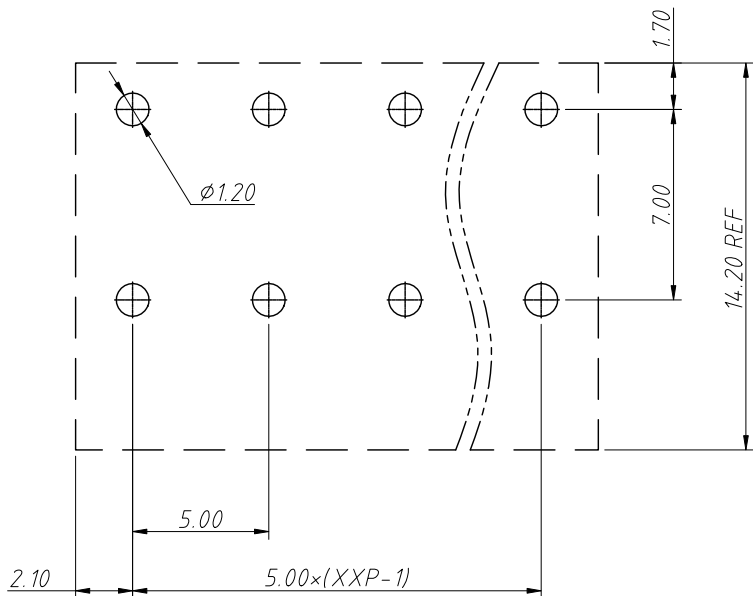
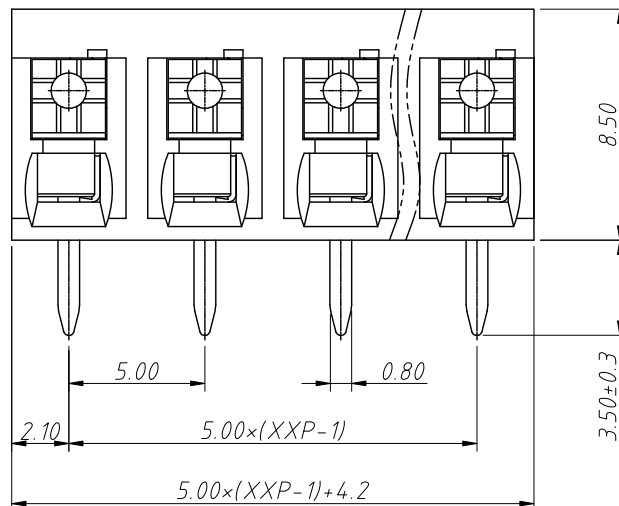


RoHS Compliance

REV	SYM	Revision Record	Appr.	Date
V0	KLS02006	New Version Release	Song	2024-08-27



Recommended PCB Layout

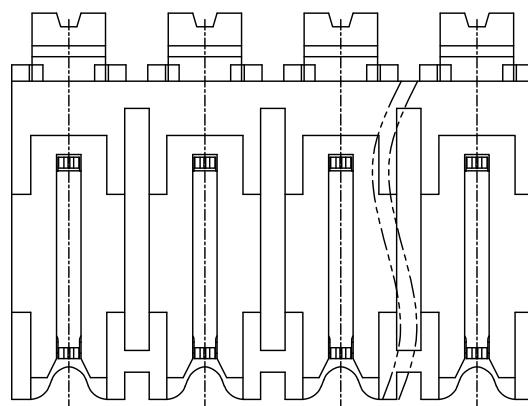
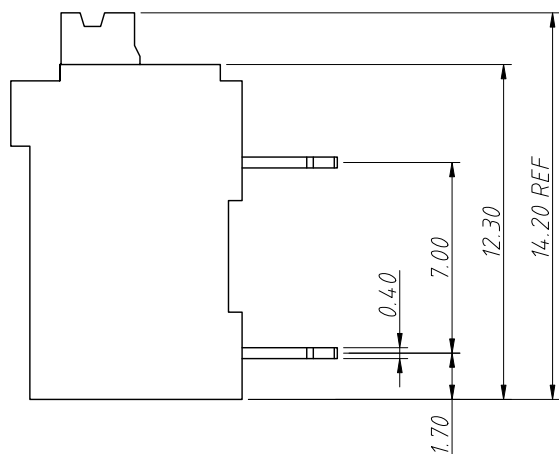
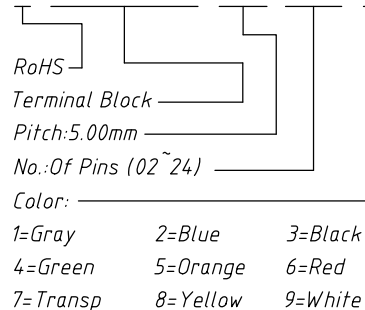


Electrical Characteristics	UL	IEC
Rated Voltage	300V	250V
Rated Current	10A	17.5A
Withstand Voltage	1600V / 1min	4.0KV
Wire Range	24 ~ 16 AWG	0.2 ~ 1.5mm ²

Material and other:
 Housing: LCP, UL94V-0
 Pin: Copper Alloy, Sn Plated
 Stripping Length: 7 ~ 8mm
 Operating Temperature: -40°C ~ +130°C
 Soldering Temperature: 285°C / 10S

Order Information

L-KLS2-212R-5.00-XXP-X

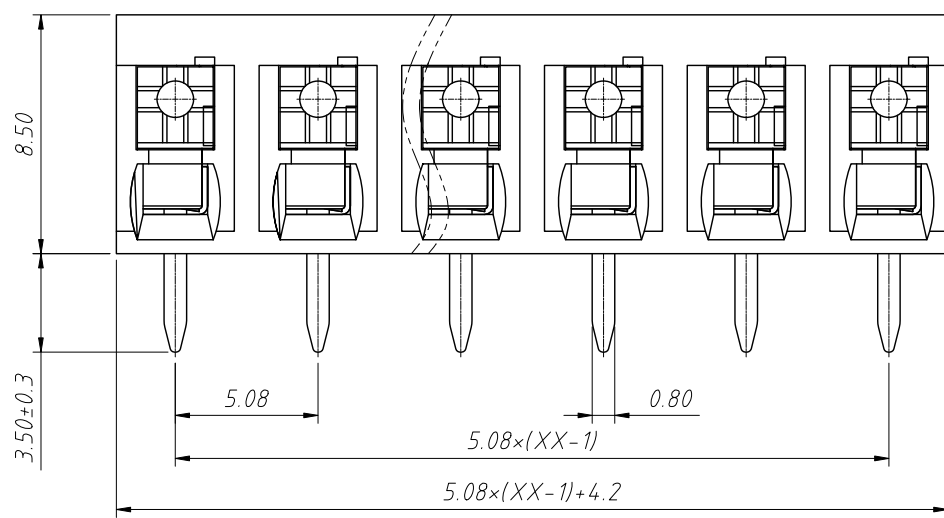
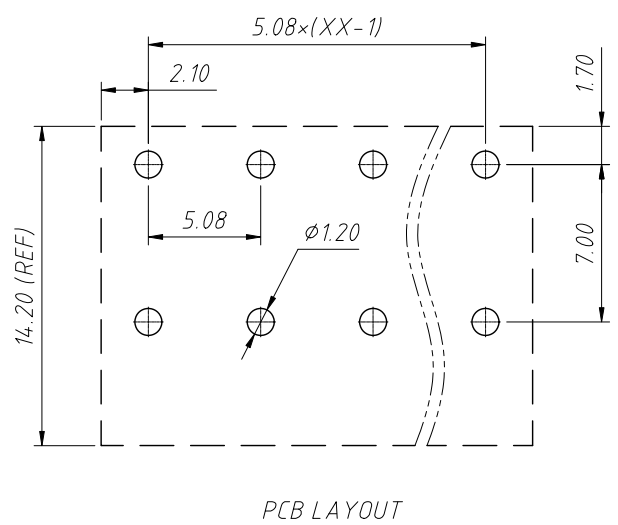


ANGLE TOLERANCE	PROJECTION	Description:
±3°		5.00mm Spring Terminal Block
GENERAL TOLERANCE	UNITS	mm
0 ~ 30	±0.50	KLS P/N:
30 ~ 60	±0.75	SHEET SIZE
60 ~ 90	±1.00	A4
	Draw:	Song
	Check:	Daniel
		2024-08-27
		2024-08-27



NingBo KLS ELECTRONIC CO.,L TD.

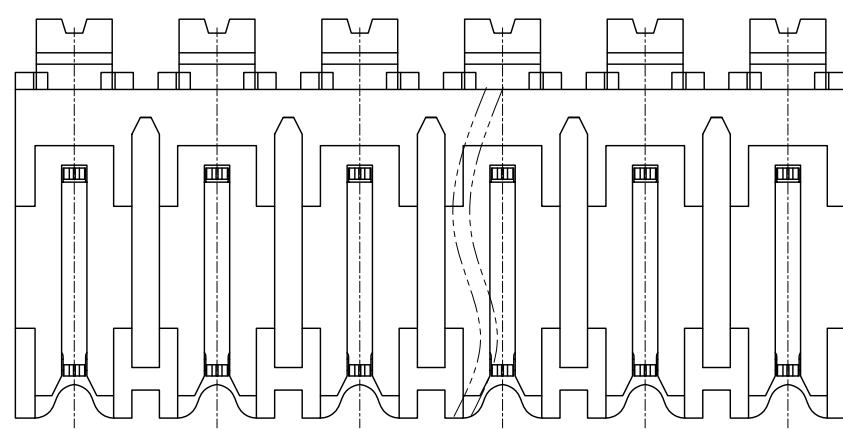
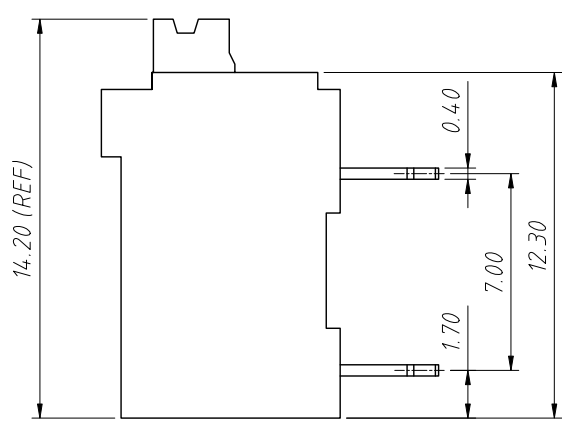
1
RoHS Compliance



Material:
Insulation:LCP,UL 94 V-0
Contactor:Copper alloy,Sn plated

Electrical:
Rated Voltage:300V
Rated Current:10A
Withstanding Voltage:1600VAC(1min)

Mechanical:
Stripping Length:7-8mm
Pin Dimensions:0.8x0.4mm
PCB Hole Diameter:φ1.2mm
Soldering Temperature:285°C/10S
Operating temperature:-40°C to +130°C



Order Information:
L-KLS2-212R-5.08-XXP-X

L: RoHS
Terminal Block
Pitch:5.08mm
No.: of 02 ~ 24 Pole
Color:

1=Gray 2=Blue 3=Black
4=Green 5=Orange 6=Red
7=Transp 8=Yellow 9=White

ANGLE TOLERANCE	PROJECTION	Description:	
±3°		5.08mm PCB Spring Terminal Block	
GENERAL TOLERANCE	UNITS	mm	KLS P/N:
x.x ±0.30	SHEET SIZE	A4	L-KLS2-212R-5.08-XXP-X
x.xx ±0.20	Draw:	Daniel	2023-05-05
x.xxx ±0.10	Check:	Daniel	2023-05-05

