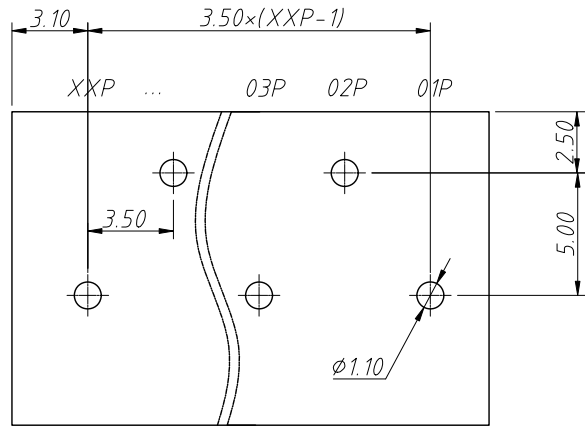
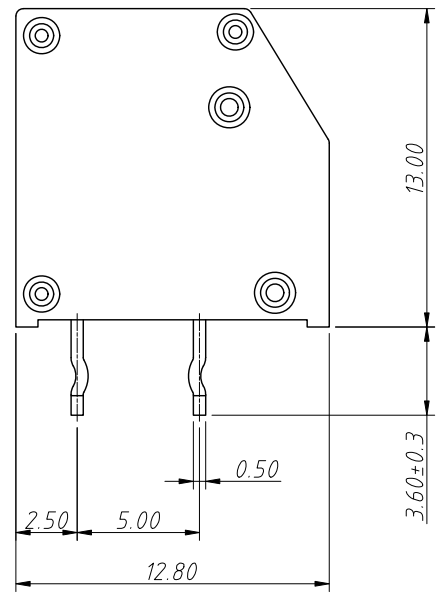
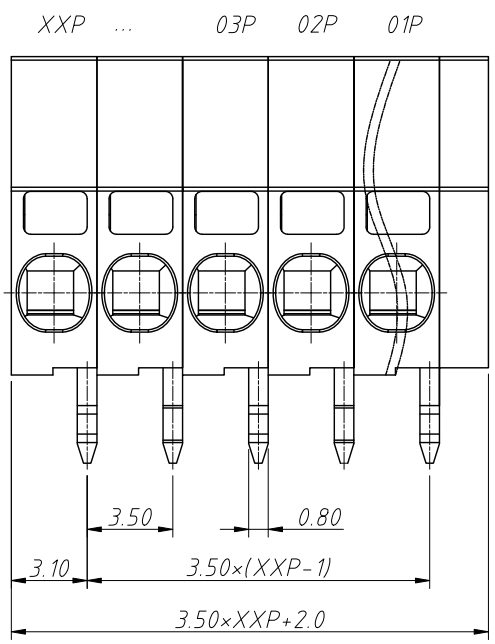
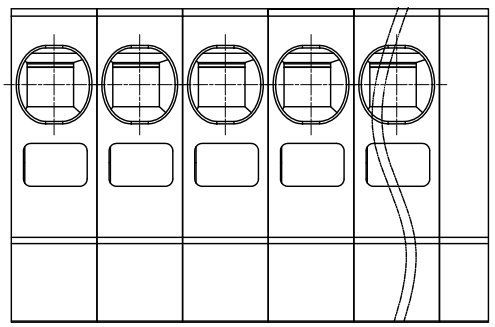


1  
RoHS Compliance

6	7	8
REV	SYM	Revision Record
V0	KLS02006	New Version Release
		Appr. Song
		Date 2024-08-28



Recommended PCB Layout



Electrical Characteristics	UL	IEC
Rated Voltage	300V	320V
Rated Current	8A	17.5A
Withstand Voltage	1600V/1 min	4.0KV
Wire Range	20~16AWG	0.2~1.5mm <sup>2</sup>

Material and other:  
 Housing: PA66, UL 94V-0  
 Pin Header: Copy Alloy, Sn Plated  
 Stripping Length: 7~8mm  
 Temp. Range: -40°C ~ +105°C

Order Information  
 L-KLS2-240-3.50-XXP-4

ANGLE TOLERANCE	PROJECTION	Description:
±3°		3.50mm Spring Terminal Blocks
GENERAL TOLERANCE	UNITS	mm
0~30 ±0.50	SHEET SIZE	A4
30~60 ±0.75	Draw:	Song
60~90 ±1.00	Check:	Daniel
		KLS P/N: L-KLS2-240-3.50-XXP-4
		NingBo KLS ELECTRONIC CO.,L TD.