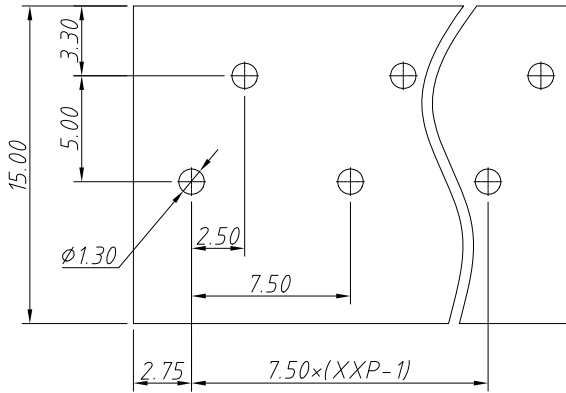
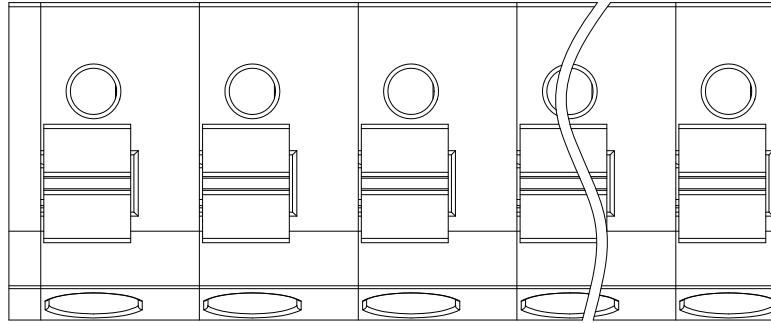


RoHS Compliance

REV	SYM	Revision Record	Appr.	Date
V0	KLS02006	New Version Release	Song	2024-08-28



Recommended PCB Layout



Electrical Characteristics	UL	IEC
Rated Voltage	300V	320V
Rated Current	12A	24A
Withstand Voltage	1600V/1min	4.0KV
Wire Range	20~12AWG	0.25~2.5mm <sup>2</sup>

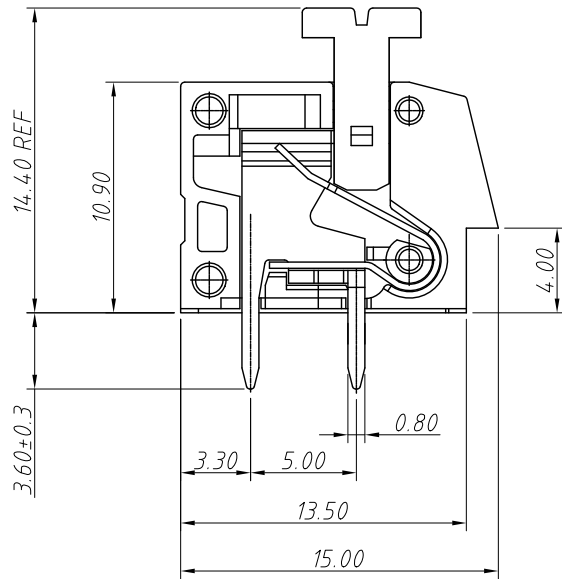
Material and other:

Housing:PA66,UL 94V-0

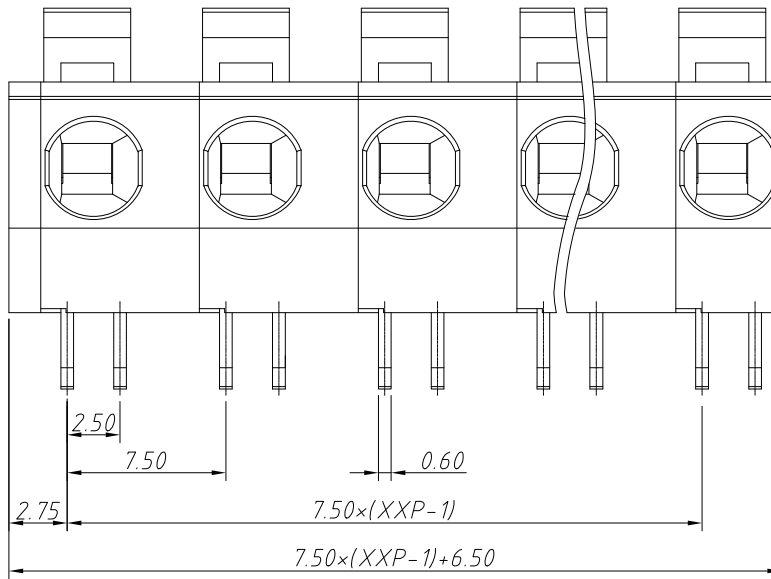
Pin Header:Coppy Alloy,Sn Plated

Stripping Length:10-11mm

Operating Temperature:-40°C~ +105°C

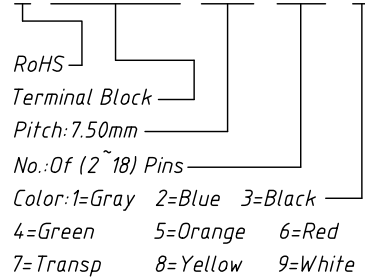


Without Cover



Order Information

L-KLS2-237-7.50-XXP-X



ANGLE TOLERANCE	PROJECTION	Description:		
±3°		7.50mm Spring Terminal Blocks		
GENERAL TOLERANCE	UNITS	mm	KLS P/N:	L-KLS2-237-7.50-XXP-X
0~30 ±0.50	SHEET SIZE	A4		
30~60 ±0.75	Draw:	Song	2024-08-28	NingBo KLS ELECTRONIC CO.,L TD.
60~90 ±1.00	Check:	Daniel	2024-08-28	