

SECTION A-A

PCB LAYOUT

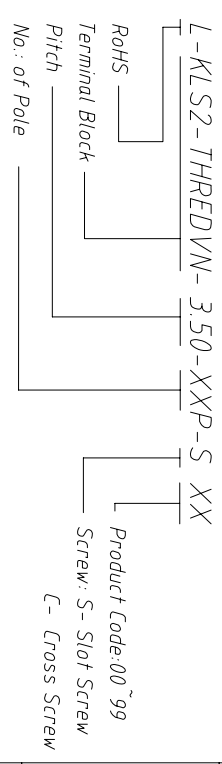
GENERAL TOLERANCE		ANGLE TOLERANCE	
X. ±0.60	X. ±5°	X. ±3°	
X ±0.38			
XX ±0.25	XX ±2°		
Draw by: Date		2015-09-01	
Check by: Date		2015-09-15	
SCALE	SHEET	OF	

Material
 Pin header: Brass, Tin plated
 Housing: LCP, UL94V-0,Black

Electrical
 Rated voltage: 300V
 Rated current: 8A
 Contact Resistance: 20 mΩ
 Insulation resistance: 500MΩ/DC500V
 Withstand voltage: AC2000V / 1min

Mechanical
 Temp. Range: -40 °C ~ +130 °C
 Soldering: 285 °C±5 °C for 10S

Order Information



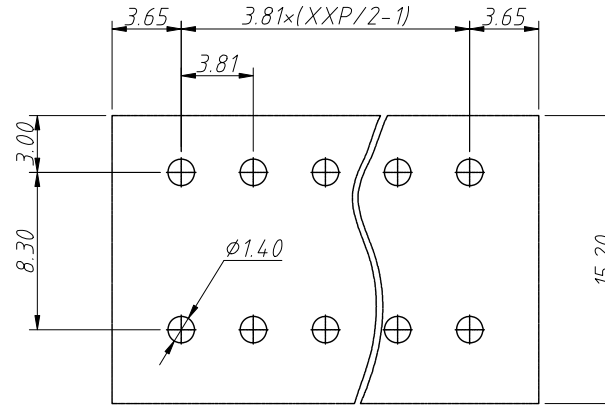
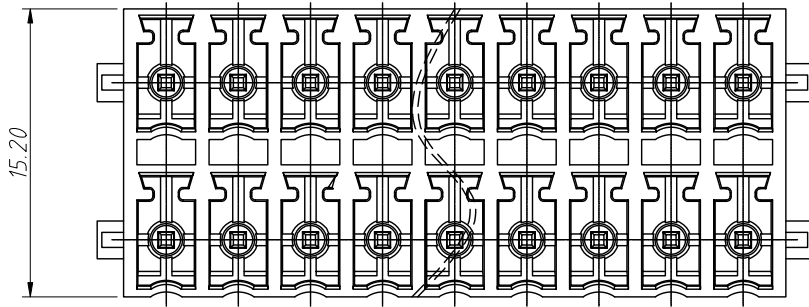
PROJECTION	UNITS	Description:
	mm	Through hole reflow 3.50mm
	A4	KLS2-THREDVN-3.50-XXP-S

KLS ELECTRONIC CO., LTD.

1 RoHS Compliance

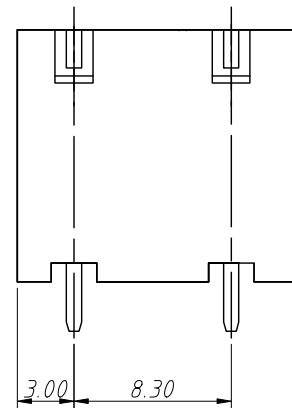
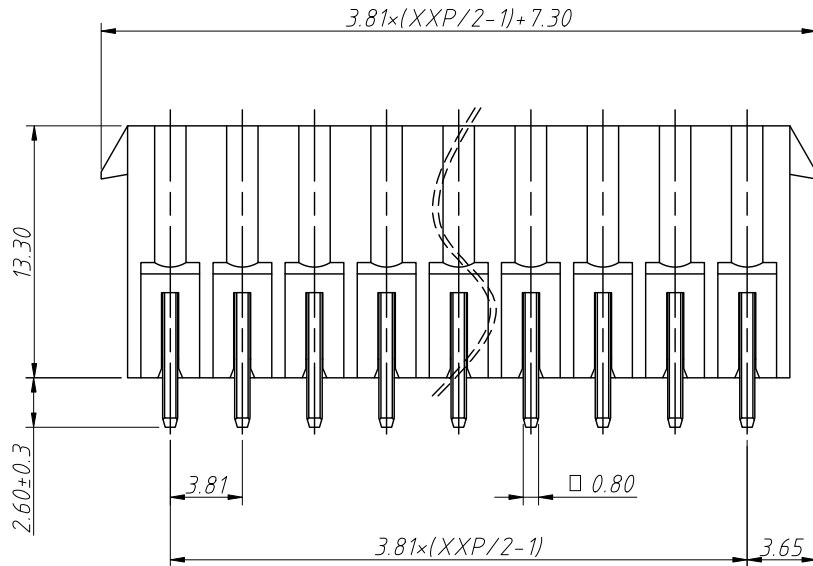
REV	SYM	Revision Record	Appr.	Date
V0	KLS02006	New Version Release	Song	2024-08-20

Electrical Characteristics	UL	IEC
Rated Voltage	300V	160V
Rated Current	8A	8A
Withstand Voltage	1600V / 1min	2.5KV



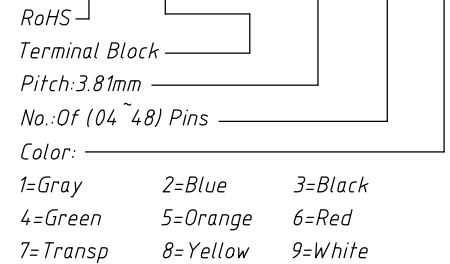
Recommended PCB Layout

Material and other:
 Housing:LCP, UL94V-0
 Pin:Copper Alloy,Sn Plated
 Operating Temperature:-40°C ~ +130°C
 Soldering Temperature:285°C /10S



Order Information

L-KLS2-THREDVN-3.81-XXP-X



ANGLE TOLERANCE	PROJECTION	Description:
±3°		Pitch 3.81mm Pluggable Terminal Block ,Socket
GENERAL TOLERANCE	UNITS	mm
0~30	±0.50	SHEET SIZE
30~60	±0.75	Draw:
60~90	±1.00	Check:
KLS P/N:		L-KLS2-THREDVN-3.81-XXP-X
KLS ELECTRONIC		NingBo KLS ELECTRONIC CO.,L TD.