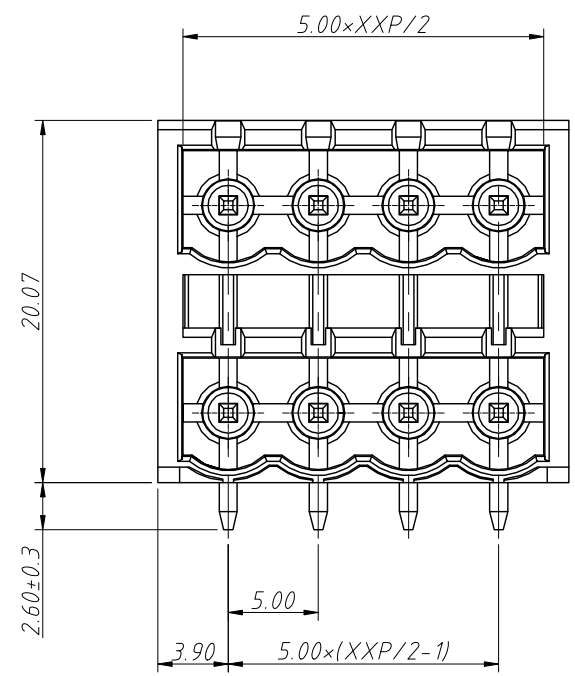
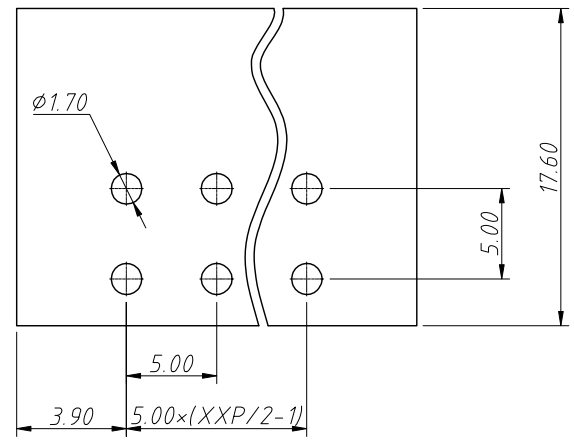


1
RoHS Compliance

REV	SYM	Revision Record	Appr.	Date
V0	KLS02006	New Version Release	WuHao	2024-10-8

B

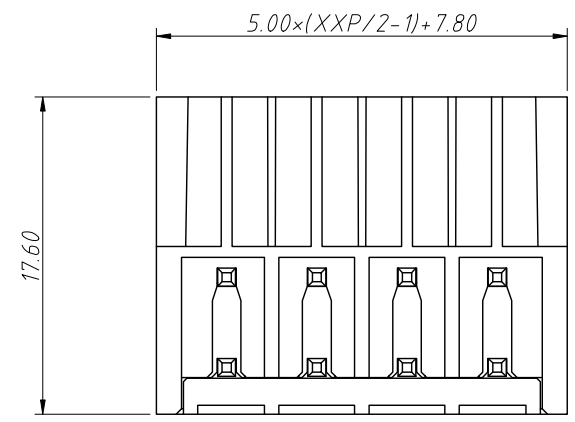
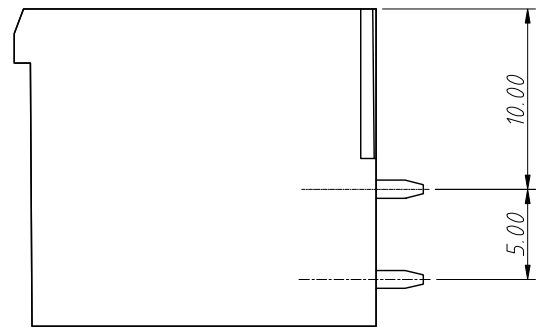


Electrical Characteristics	UL	IEC
Rated Voltage	300V	250V
Rated Current	15A	12A
Withstand Voltage	1600V/1 min	4.0KV

D

Material and other:
 Housing:LCP UL 94 V-0
 Pin Header:Copper Alloy,Sn Plated
 Operating Temperature:-40°C ~ +130°C
 Soldering Temperature:285°C/10 S

E



Order Information
 L-KLS2-THREDRH-5.00-XXP-X
 RoHS
 Terminal Block
 Pitch:5.00mm
 No.:Of (04~48) Pin
 Color:
 1=Gray 2=Blue 3=Black
 4=Green 5=Orange 6=Red
 7=Transp 8=Yellow 9=White

H

ANGLE TOLERANCE	PROJECTION	Description:
±3°		Pitch 5.00mm Pluggable Terminal Block,Socket
GENERAL TOLERANCE	UNITS	mm
0~30	±0.50	KLS P/N:
30~60	±0.75	L-KLS2-THREDRH-5.00-XXP-X
60~90	±1.00	Draw: WuHao 2024-10-8
	Check: Daniel 2024-10-8	NingBo KLS ELECTRONIC CO.,L TD.