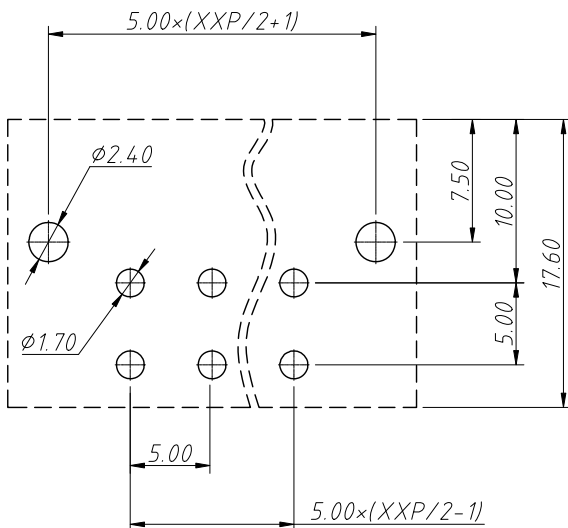
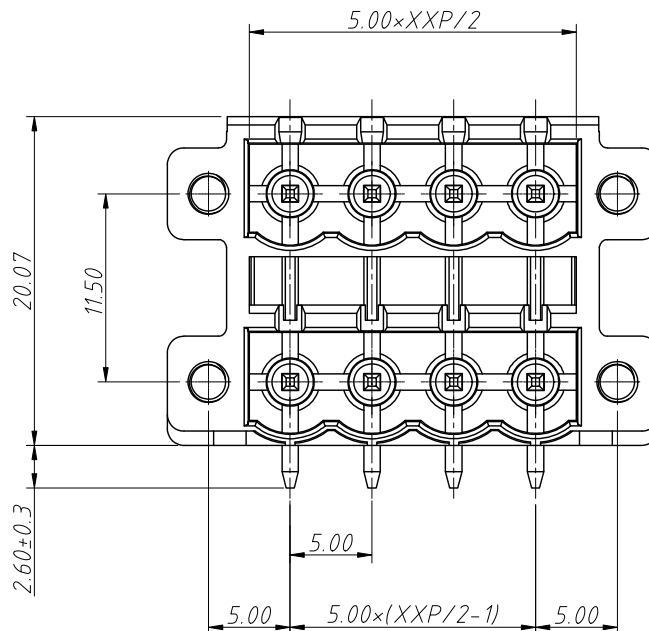


1 RoHS Compliance

REV	SYM	Revision Record	Appr.	Date
V0	KLS02006	New Version Release	Song	2024-09-20

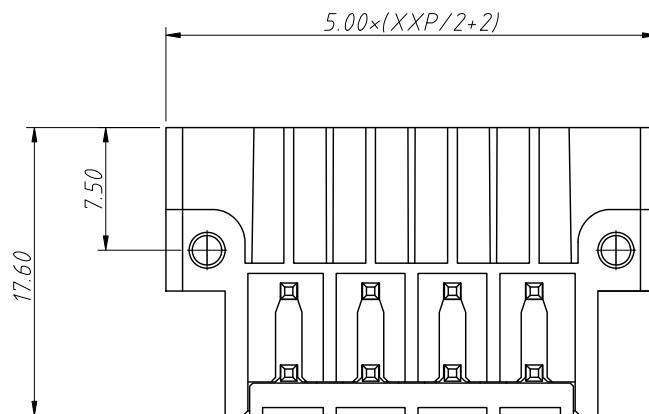
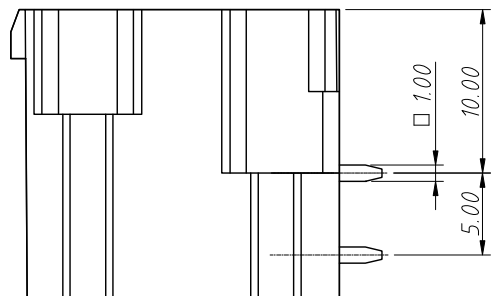


Recommended PCB Layout



Electrical Characteristics	UL	IEC
Rated Voltage	300V	250V
Rated Current	15A	12A
Withstand Voltage	1600V / 1min	4.0KV

Material and other:  
 Housing:LCP, UL94V-0  
 Pin Header:Coppo Alloy,Sn Plated  
 Nut:Copper Alloy,M2.5  
 Operating Temperature:-40°C ~ +130°C  
 Soldering Temperature:280°C /10S



Order Information  
 L-KLS2-THREDRHM-5.00-XXP-X

RoHS  
 Terminal Block  
 Pitch:5.00mm  
 No.:Of (04~48) Pins  
 Color:

1=Gray	2=Blue	3=Black
4=Green	5=Orange	6=Red
7=Transp	8=Yellow	9=White

ANGLE TOLERANCE	PROJECTION	Description:
±3°		Pitch 5.00mm Pluggable Terminal Block ,Socket
GENERAL TOLERANCE	UNITS	mm
0~30	±0.50	SHEET SIZE
30~60	±0.75	Draw:
60~90	±1.00	Check:
KLS P/N:		L-KLS2-THREDRHM-5.00-XXP-X
KLS ELECTRONIC		NingBo KLS ELECTRONIC CO.,LTD.