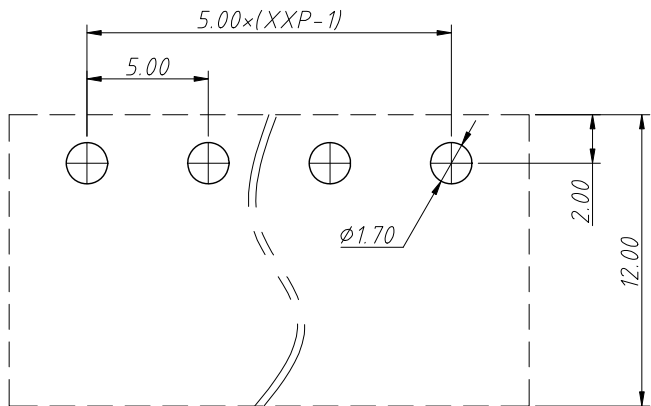
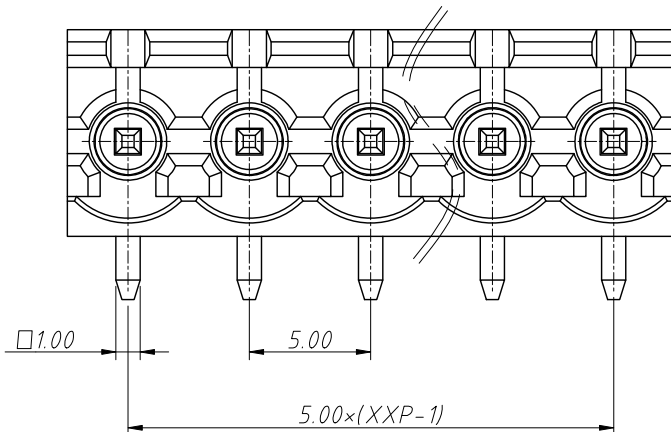


1 RoHS Compliance

REV	SYM	Revision Record	Appr.	Date
V0	KLS02006	New Version Release	WuHao	2024-10-8



Recommended PCB Layout



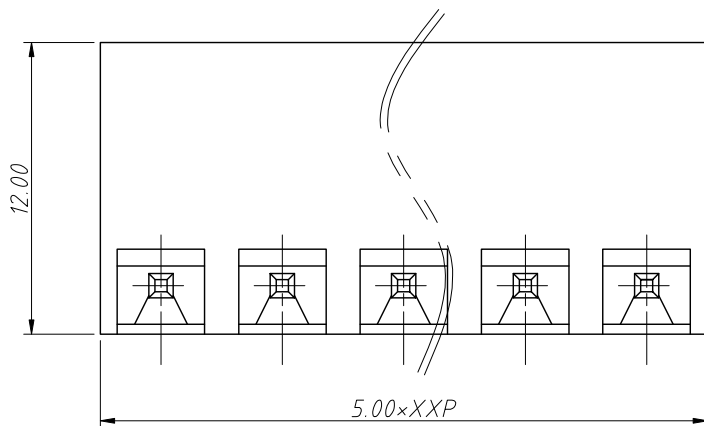
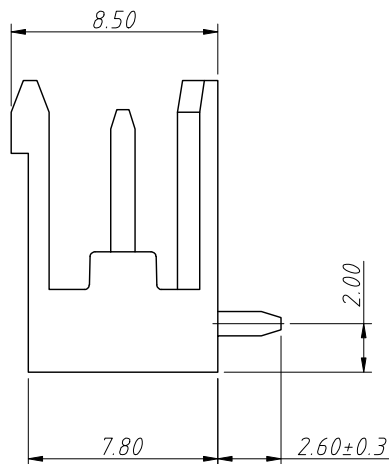
Electrical Characteristics	UL	IEC
Rated Voltage	300V	250V
Rated Current	15A	12A
Withstand Voltage	1600V/1 min	4KV

Material and other:

Housing: LCP, UL 94V-0

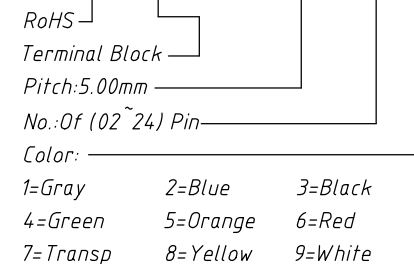
Pin: Copper Alloy, Sn Plated

Operating Temperature: -40°C ~ +130°C



Order Information

L-KLS2-THREDR-5.00-XXP-X



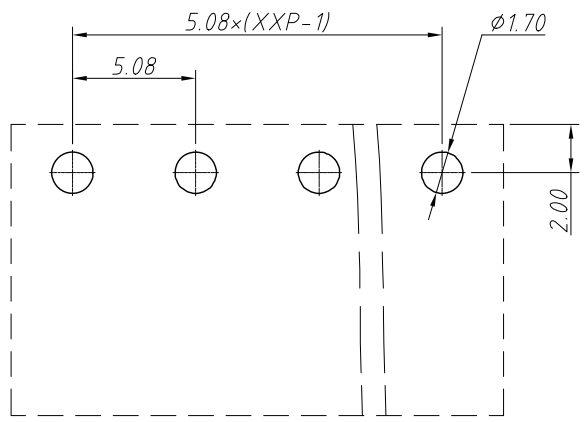
ANGLE TOLERANCE	PROJECTION	Description:
±3°		Pitch 5.00mm Pluggable Terminal Block, Socket
GENERAL TOLERANCE	UNITS	mm
0~30	±0.50	KLS P/N:
30~60	±0.75	L-KLS2-THREDR-5.00-XXP-X
60~90	±1.00	
	SHEET SIZE	A4
	Draw:	WuHao 2024-10-8
	Check:	Daniel 2024-10-8



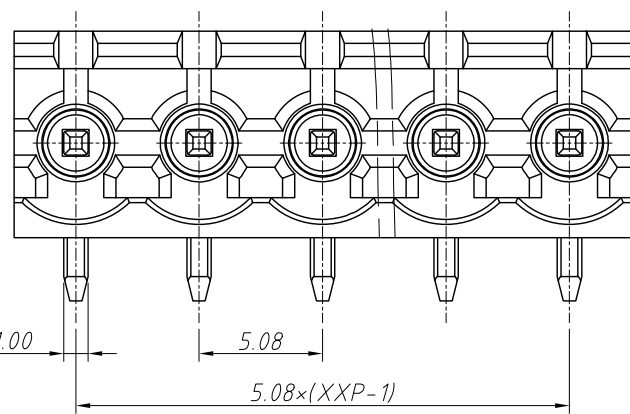
NingBo KLS ELECTRONIC CO.,LTD.

1 RoHS Compliance

REV	SYM	Revision Record	Appr.	Date
V0	KLS02006	New Version Release	WuHao	2024-10-8

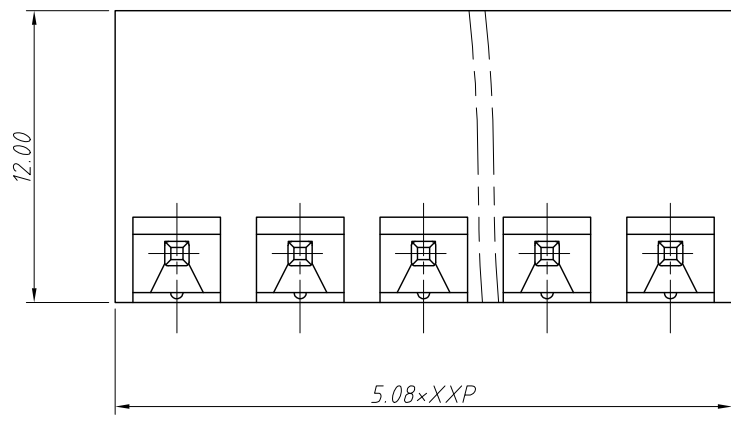
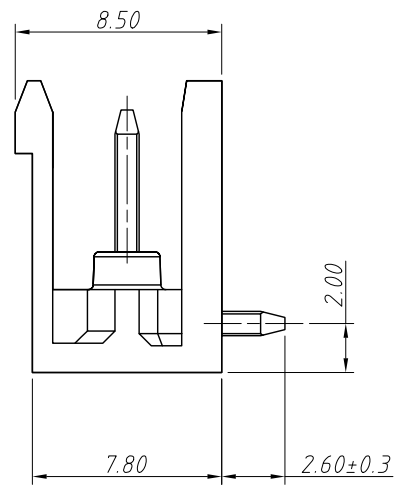


Recommended PCB Layout



Electrical Characteristics	UL	IEC
Rated Voltage	300V	250V
Rated Current	15A	12A
Withstand Voltage	1600V/1 min	4KV

Material and other:  
 Housing:LCP UL 94 V-0  
 Pin:Copper Alloy, Sn Plated  
 Operating Temperature:-40°C ~ +130°C  
 Soldering Temperature:285°C/10 S



Order Information  
 L-KLS2-THREDR-5.08-XXP-X  
 RoHS  
 Terminal Block  
 Pitch:5.08mm  
 No.:Of (02~24) Pin  
 Color:  
 1=Gray    2=Blue    3=Black  
 4=Green    5=Orange    6=Red  
 7=Transp    8=Yellow    9=White

ANGLE TOLERANCE	PROJECTION	Description:
±3°		Pitch 5.08mm Pluggable Terminal Block, Plug
GENERAL TOLERANCE	UNITS	mm
0~30	±0.50	
30~60	±0.75	
60~90	±1.00	
SHEET SIZE	A4	
Draw:	WuHao	2024-10-8
Check:	Daniel	2024-10-8
KLS ELECTRONIC		NingBo KLS ELECTRONIC CO.,L TD.