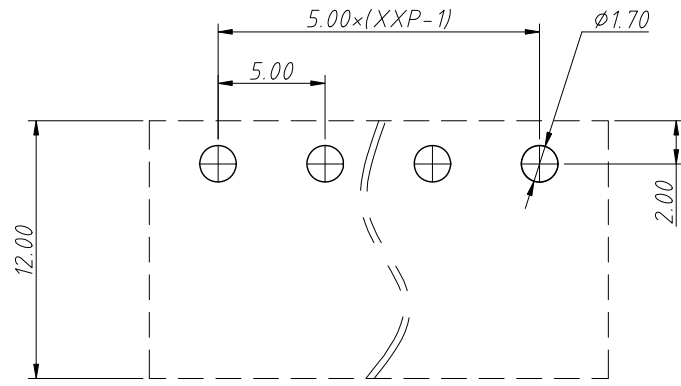
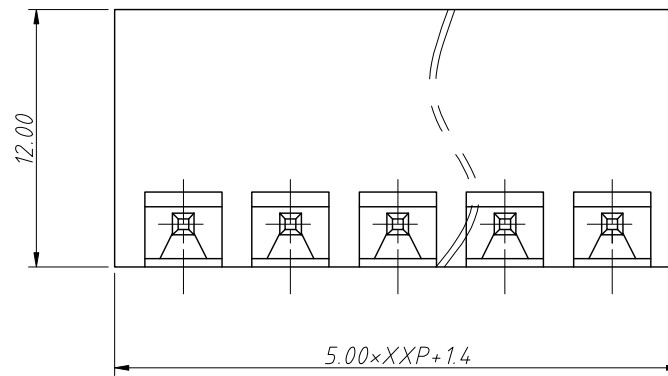
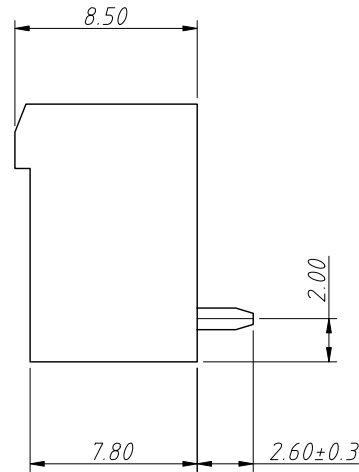
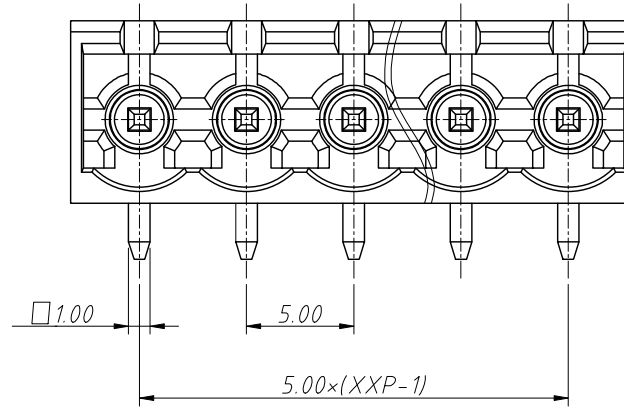


RoHS Compliance

REV	SYM	Revision Record	Appr.	Date
V0	KLS02006	New Version Release	WuHao	2024-10-8



Recommended PCB Layout



Electrical Characteristics	UL	IEC
Rated Voltage	300V	250V
Rated Current	15A	12A
Withstand Voltage	1600V/1 min	4KV

Material and other:
 Housing:LCP UL94V-0
 Pin:Copper Alloy,Sn Plated
 Operating Temperature:-40°C ~ +130°C

Order Information

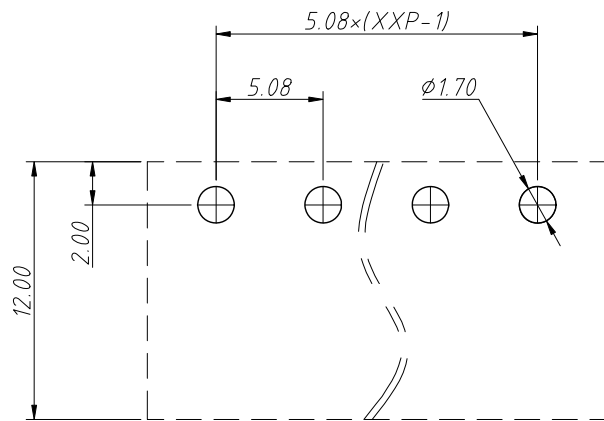
L-KLS2-THREDRC-5.00-XXP-X

RoHS
 Terminal Block
 Pitch:5.00mm
 No.:Of (02~24) Pin
 Color:
 1=Gray 2=Blue 3=Black
 4=Green 5=Orange 6=Red
 7=Transp 8=Yellow 9=White

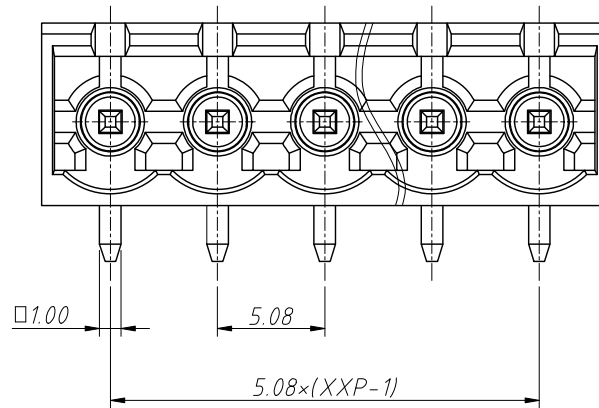
ANGLE TOLERANCE	PROJECTION	Description:
±3°		Pitch 5.00mm Pluggable Terminal Block,Socket
GENERAL TOLERANCE	UNITS	mm
0~30 ±0.50	SHEET SIZE	A4
30~60 ±0.75	Draw:	WuHao 2024-10-8
60~90 ±1.00	Check:	Daniel 2024-10-8
		L-KLS2-THREDRC-5.00-XXP-X
		NingBo KLS ELECTRONIC CO.,L TD.

1 RoHS Compliance

REV	SYM	Revision Record	Appr.	Date
V0	KLS02006	New Version Release	WuHao	2024-10-8



Recommended PCB Layout



Electrical Characteristics	UL	IEC
Rated Voltage	300V	250V
Rated Current	15A	12A
Withstand Voltage	1600V/1 min	4KV

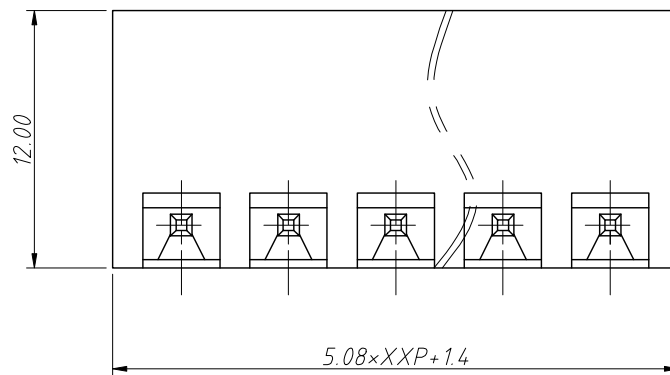
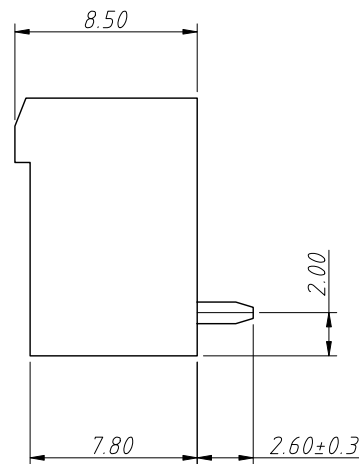
Material and other:

Housing:LCP UL94V-0

Pin:Copper Alloy,Sn Plated

Operating Temperature:-40°C ~ +130°C

Soldering Temperature:285°C/10S



Order Information

L-KLS2-THREDRC-5.08-XXP-X

RoHS

Terminal Block

Pitch:5.08mm

No.:Of (02~24) Pin

Color:

1=Gray 2=Blue 3=Black

4=Green 5=Orange 6=Red

7=Transp 8=Yellow 9=White

ANGLE TOLERANCE	PROJECTION	Description:
±3°		Pitch 5.08mm Pluggable Terminal Block,Socket
GENERAL TOLERANCE	UNITS	mm
0~30 ±0.50	SHEET SIZE	A4
30~60 ±0.75	Draw:	WuHao 2024-10-8
60~90 ±1.00	Check:	Daniel 2024-10-8
		L-KLS2-THREDRC-5.08-XXP-X
		NingBo KLS ELECTRONIC CO.,L TD.