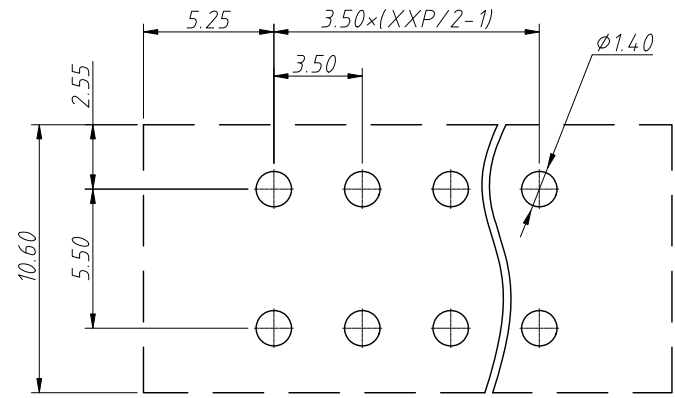
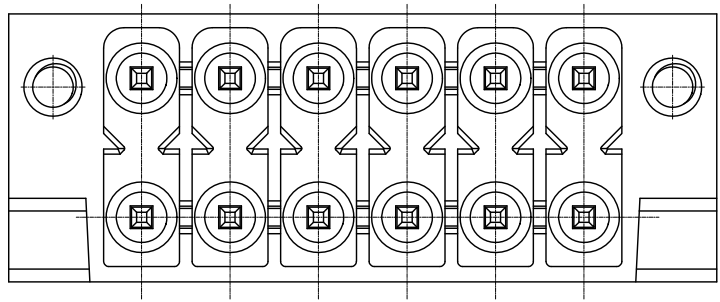


1
RoHS Compliance

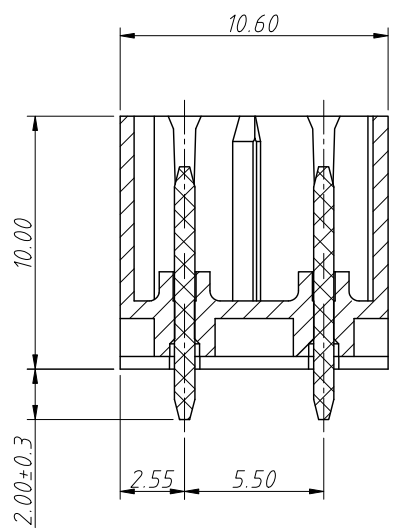
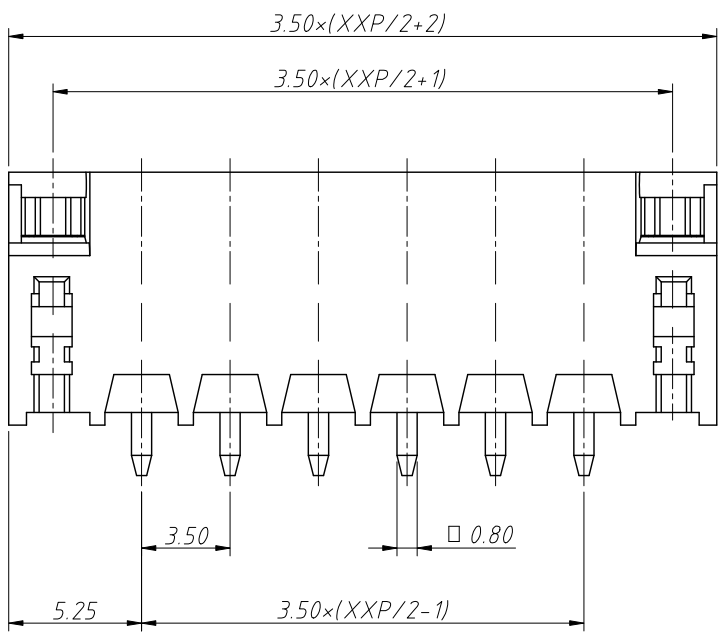
REV	SYM	Revision Record	Appr.	Date
V0	KLS02006	New Version Release	Song	2024-08-19

Electrical Characteristics	UL	IEC
Rated Voltage	300V	160V
Rated Current	8A	8A
Withstand Voltage	1600V / 1min	2.5KV

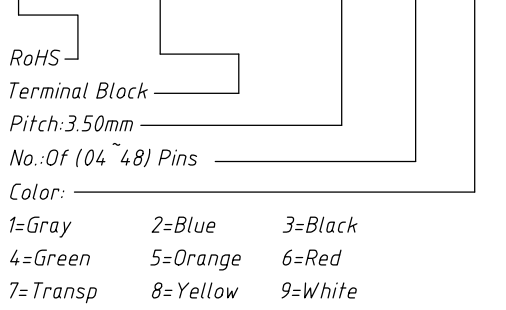


Recommended PCB Layout

Material and other:
Housing:LCP, UL94V-0
Pin:Copper Alloy,Sn Plated
Operating Temperature:-40°C ~ +130°C



Order Information
L-KLS2-THREDVHCM-3.50-XXP-X



ANGLE TOLERANCE	PROJECTION	Description:
±3°		Pitch 3.50mm Pluggable Terminal Block ,Socket
GENERAL TOLERANCE	UNITS	mm
0 ~ 30	±0.50	KLS P/N:
30 ~ 60	±0.75	SHEET SIZE
60 ~ 90	±1.00	A4
Draw:	Song	2024-08-19
Check:	Daniel	2024-08-19
		L-KLS2-THREDVHCM-3.50-XXP-X
		NingBo KLS ELECTRONIC CO.,L TD.