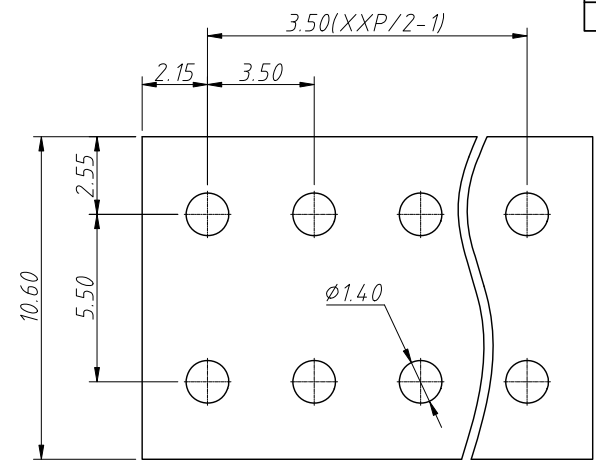
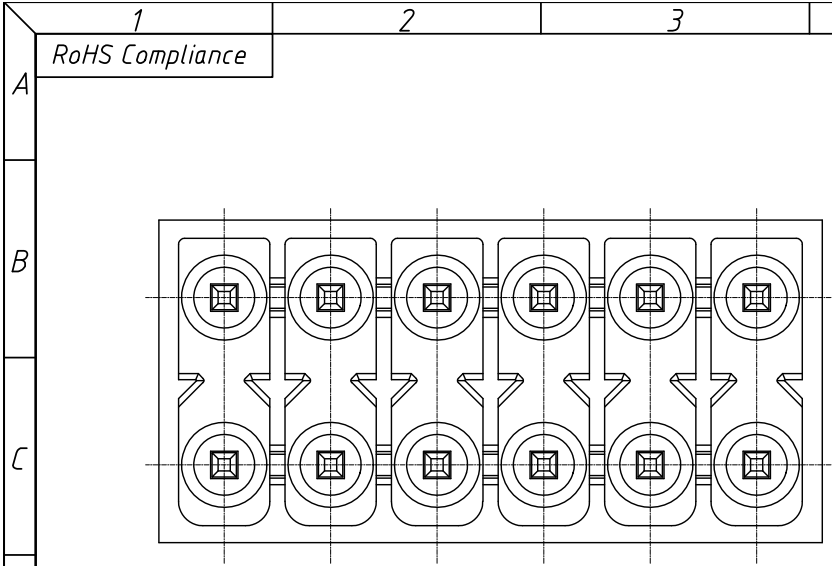


1
RoHS Compliance

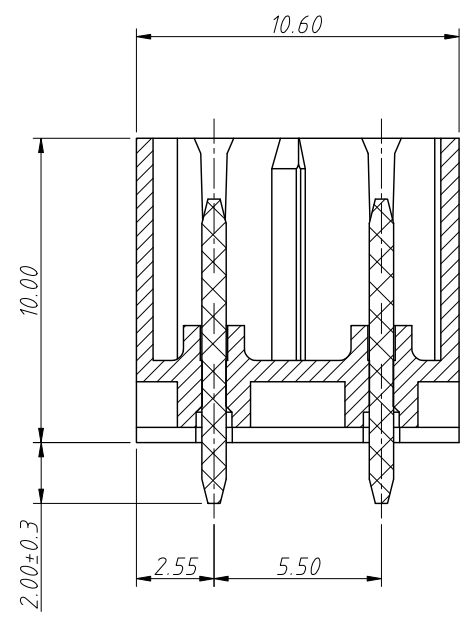
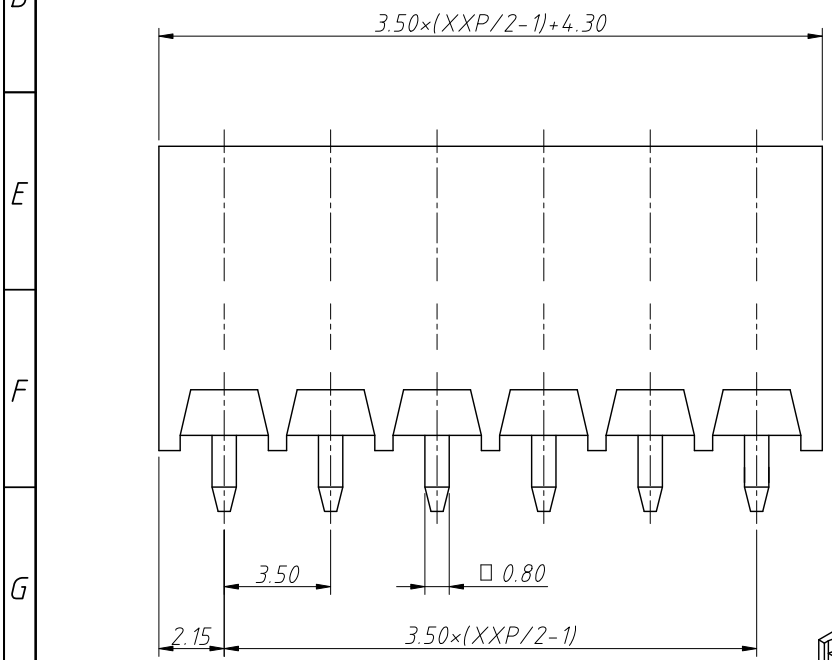
7	8			
REV	SYM	Revision Record	Appr.	Date
V0	KLS02006	New Version Release	Song	2024-08-19

Electrical Characteristics	UL	IEC
Rated Voltage	300V	160V
Rated Current	8A	8A
Withstand Voltage	1600V / 1min	2.5KV

Material and other:
Housing:LCP, UL94V-0
Pin:Copper Alloy,Sn Plated
Operating Temperature:-40°C ~ +130°C



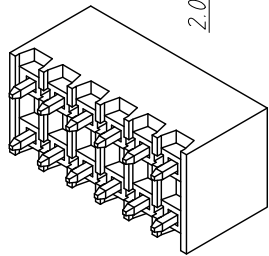
PCB LAYOUT



Order Information
L-KLS2-THREDVHC-3.50-XXP-X

RoHS
Terminal Block
Pitch:3.50mm
No.:Of (04 ~48) Pins
Color:

1=Gray	2=Blue	3=Black
4=Green	5=Orange	6=Red
7=Transp	8=Yellow	9=White



ANGLE TOLERANCE	PROJECTION	Description:
$\pm 3^\circ$		Pitch 3.50mm Pluggable Terminal Block ,Socket
GENERAL TOLERANCE	UNITS	mm
0 ~30	± 0.50	SHEET SIZE
30 ~60	± 0.75	Draw:
60 ~90	± 1.00	Check:
		KLS P/N:
		L-KLS2-THREDVHC-3.50-XXP-X
		2024-08-19
		2024-08-19

