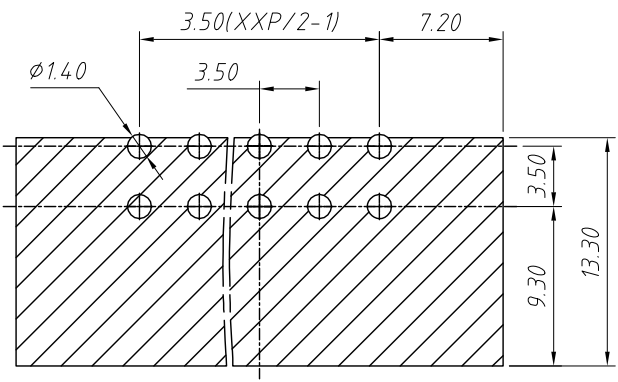
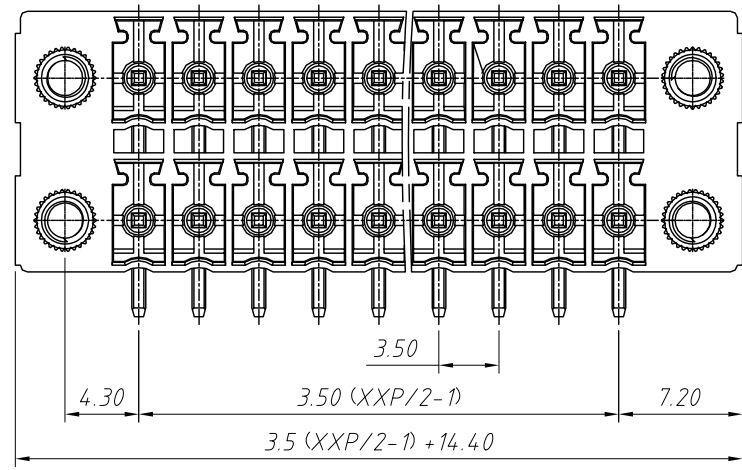


1
RoHS Compliance

REV	SYM	Revision Record	Appr.	Date
V0	KLS02006	New Version Release	Song	2023-11-24
V1	KLS02006	Technology Improvement	WuHao	2024-10-23



Recommended PCB Layout

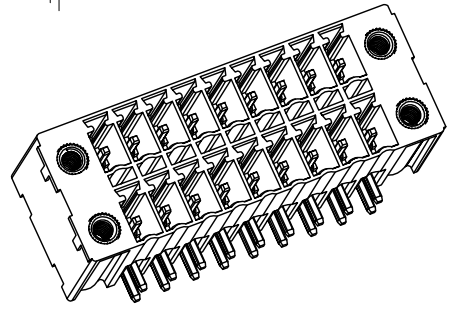
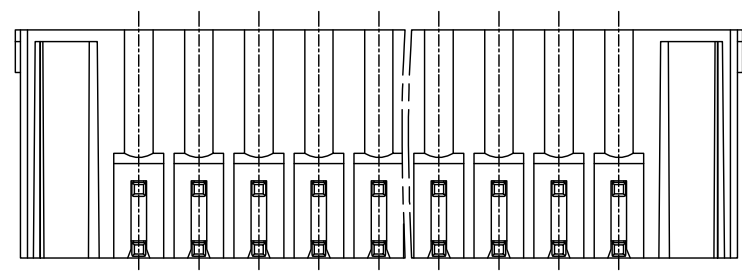
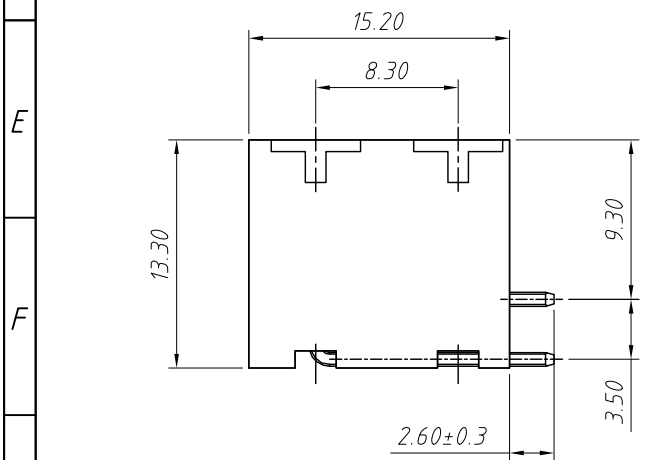
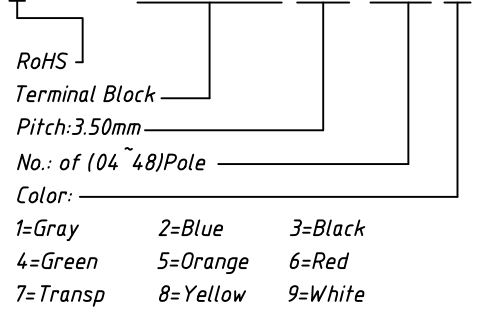


Electrical Characteristics	UL	IEC
Rated Voltage	300V	160V
Rated Current	8A	8A
Withstand Voltage	1600V/1 min	2.5 KV

Material :
Housing: LCP, UL94V-0
Pin header: Copper alloy, Sn plated

Electrical :
Temp. Range: -40 °C ~ + 130 °C
Soldering Temperature: 285°C/10S

Order Information
L-KLS2-THREDRHM-3.50-XXP-X



ANGLE TOLERANCE	PROJECTION	Description:
±3°		Pitch 3.50mm Through hole reflow terminal blocks
GENERAL TOLERANCE	UNITS	mm
0°~30° ±0.50	SHEET SIZE	A4
30°~60° ±0.75	Draw:	WuHao 2024-10-23
60°~90° ±1.00	Check:	Daniel 2024-10-23
		KLS P/N: L-KLS2-THREDRHM-3.50-XXP-X
		NingBo KLS ELECTRONIC CO.,L TD.