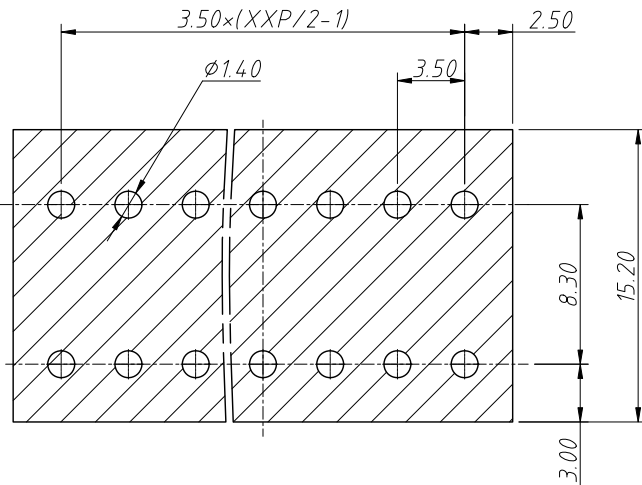
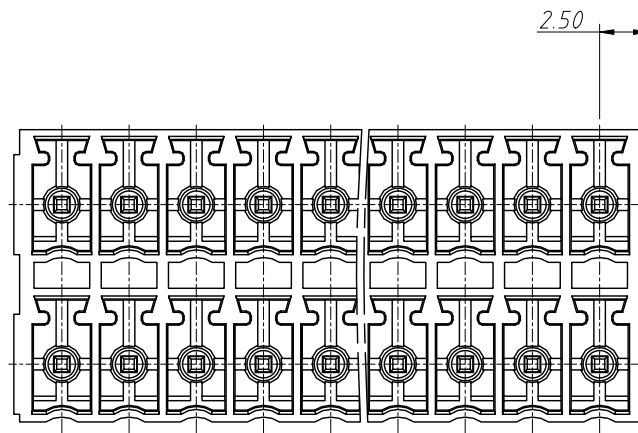


1 RoHS Compliance

REV	SYM	Revision Record	Appr.	Date
V0	KLS02006	New Version Release	Song	2024-08-19

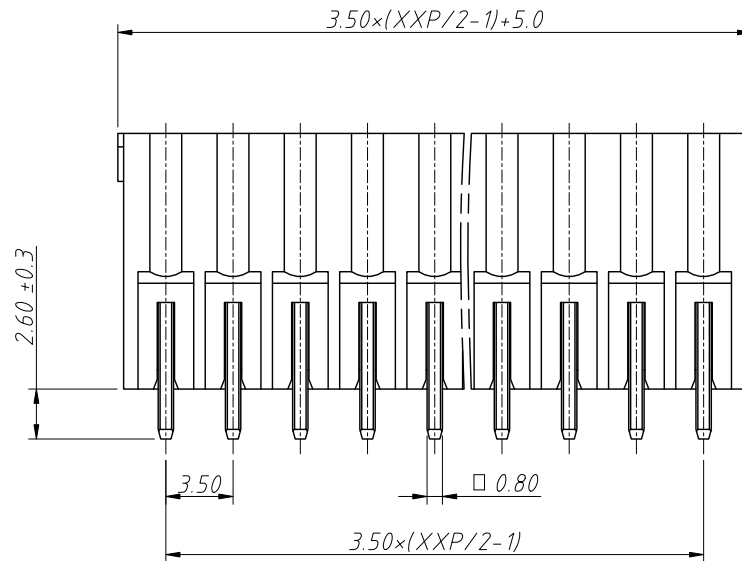
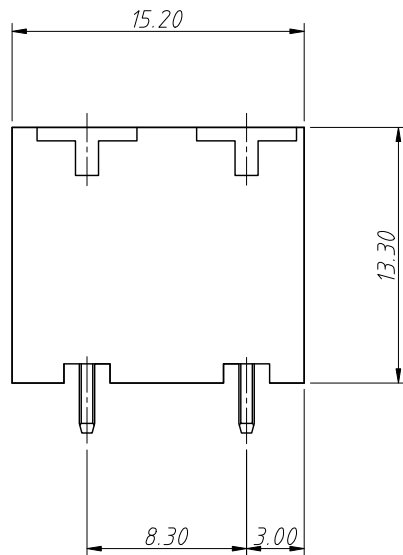


Recommended PCB Layout



Electrical Characteristics	UL	IEC
Rated Voltage	300V	160V
Rated Current	8A	8A
Withstand Voltage	1600V / 1min	2.5KV

Material and other:  
 Housing:LCP, UL 94V-0  
 Pin:Copper Alloy,Sn Plated  
 Operating Temperature:-40°C ~ +130°C  
 Soldering Temperature:285°C /10S



Order Information

L-KLS2-THREDVH-3.50-XXP-X

RoHS  
 Terminal Block  
 Pitch:3.50mm  
 No.:Of (04 ~ 48) Pins  
 Color:  
 1=Gray    2=Blue    3=Black  
 4=Green    5=Orange    6=Red  
 7=Transp    8=Yellow    9=White

ANGLE TOLERANCE	PROJECTION	Description:
±3°		Pitch 3.50mm Pluggable Terminal Block ,Socket
GENERAL TOLERANCE	UNITS	mm
0 ~ 30	±0.50	KLS P/N:
30 ~ 60	±0.75	SHEET SIZE
60 ~ 90	±1.00	A4
Draw:	Song	2024-08-19
Check:	Daniel	2024-08-19
		NingBo KLS ELECTRONIC CO.,L TD.

