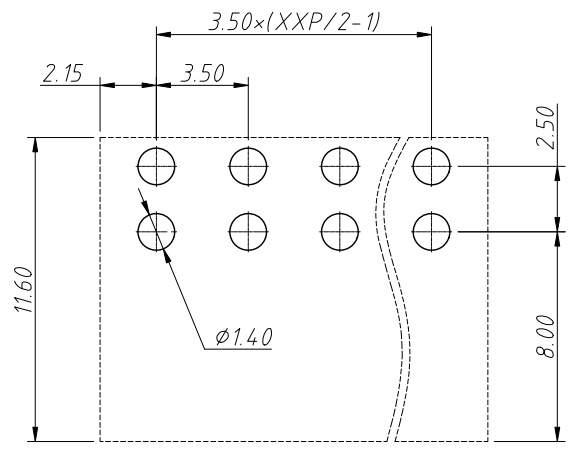
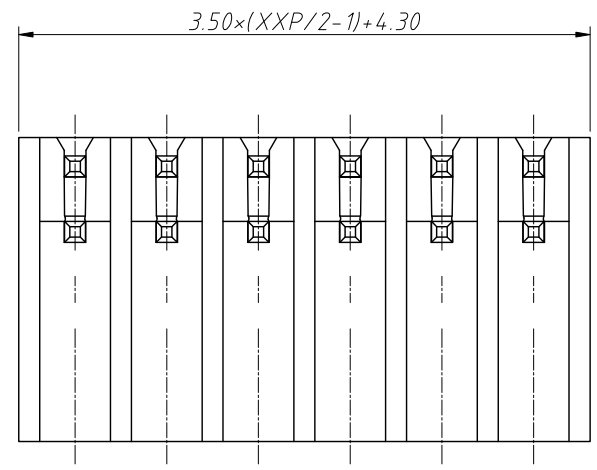
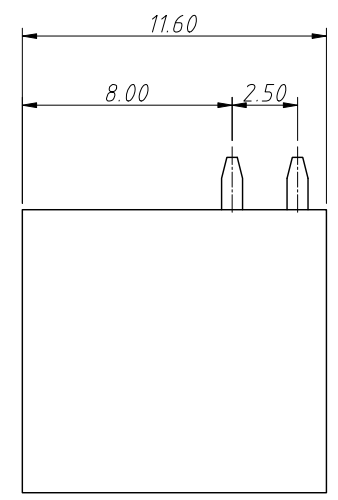
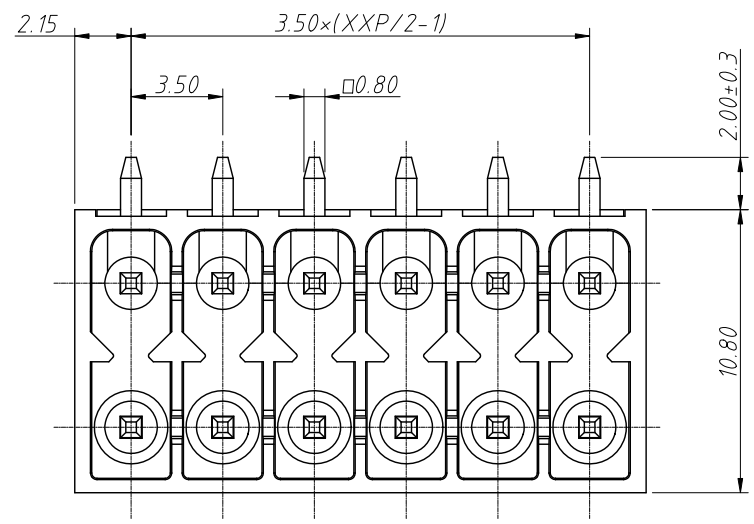


1
RoHS Compliance



Recommended PCB Layout



REV	SYM	Revision Record	Appr.	Date
V0	KLS02006	New Version Release	WuHao	2024-09-25

Electrical Characteristics	UL	IEC
Rated Voltage	150V	160V
Rated Current	8A	8A
Withstand Voltage	1300V/1 min	2.5KV

Material and other:
 Housing:LCP,UL 94V-0
 Pin Header:Coppoy Alloy,Sn Plated
 Operating Temperature:-40°C ~ +130°C

Order Information

L-KLS2-EDGRHC-THR-3.50-XXP-X

RoHS
 Terminal Block
 Pitch:3.50mm
 No.:Of (04~48) Pin
 Color:
 1=Gray 2=Blue 3=Black
 4=Green 5=Orange 6=Red
 7=Transp 8=Yellow 9=White

ANGLE TOLERANCE	PROJECTION	Description:
±3°		Pitch 3.50mm Pluggable Terminal Block,Socket
GENERAL TOLERANCE	UNITS	mm
0~30	±0.50	SHEET SIZE
30~60	±0.75	Draw:
60~90	±1.00	Check:
		KLS P/N:
		L-KLS2-EDGRHC-THR-3.50-XXP-X
		WuHao
		2024-09-25
		Daniel
		2024-09-25

