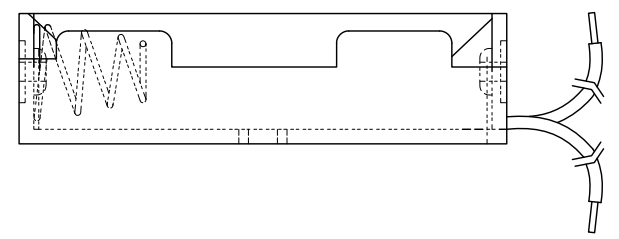
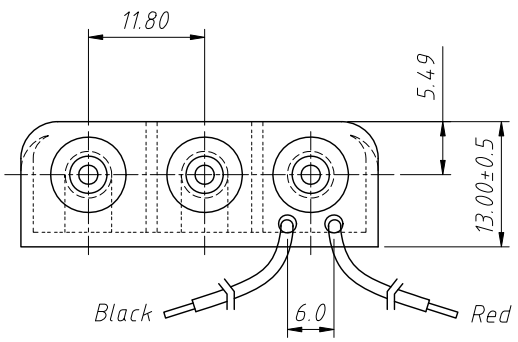
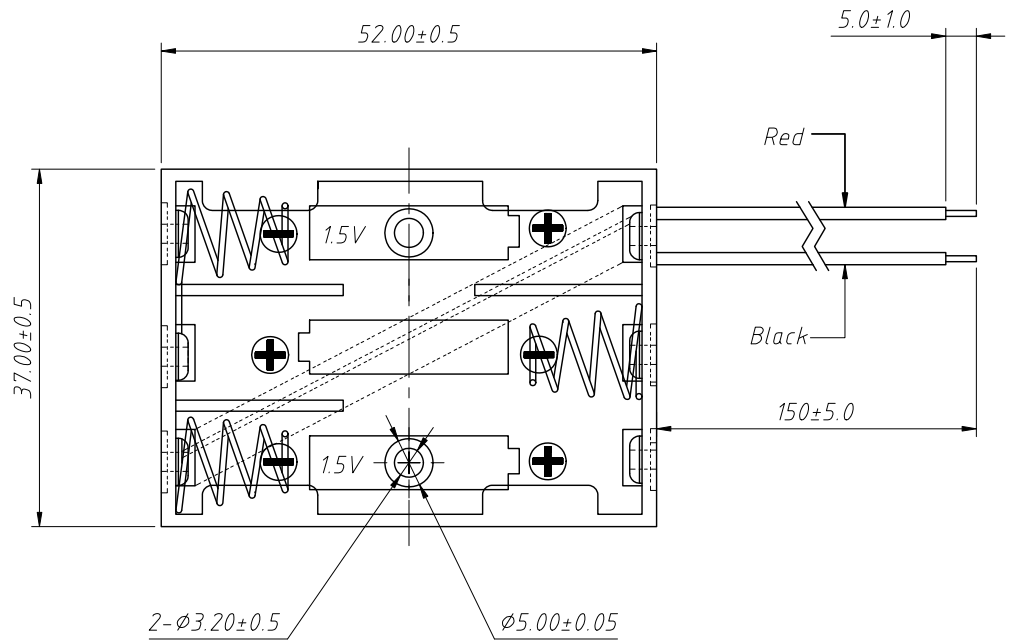


1  
RoHS Compliance

2	3	4	5	6	7	8
REV	SYM	Revision Record		Appr.	Date	
V0	KLS05034	New Version Release		Jenny	2024-08-26	

Material:  
 Housing:ABS Resin Black Color  
 Spring:6mm 65C Spring Wire  
 Wire:UL 1007,26 AWG Black & Red,L=150mm±5mm

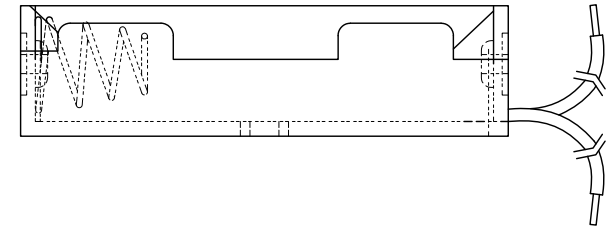
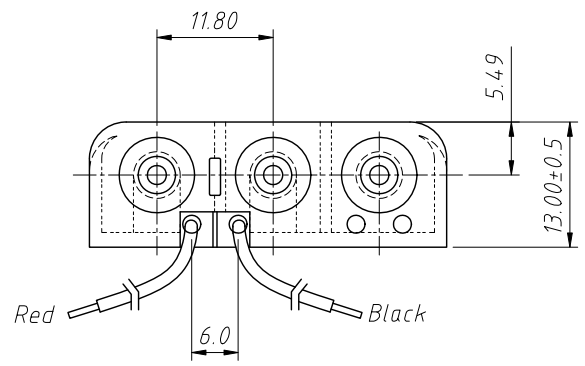


Order Information:  
 L-KLS5-819-B  
 L: RoHS  
 Cell Box Series  
 Type:  
 B:With Wire  
 L=15cm or other

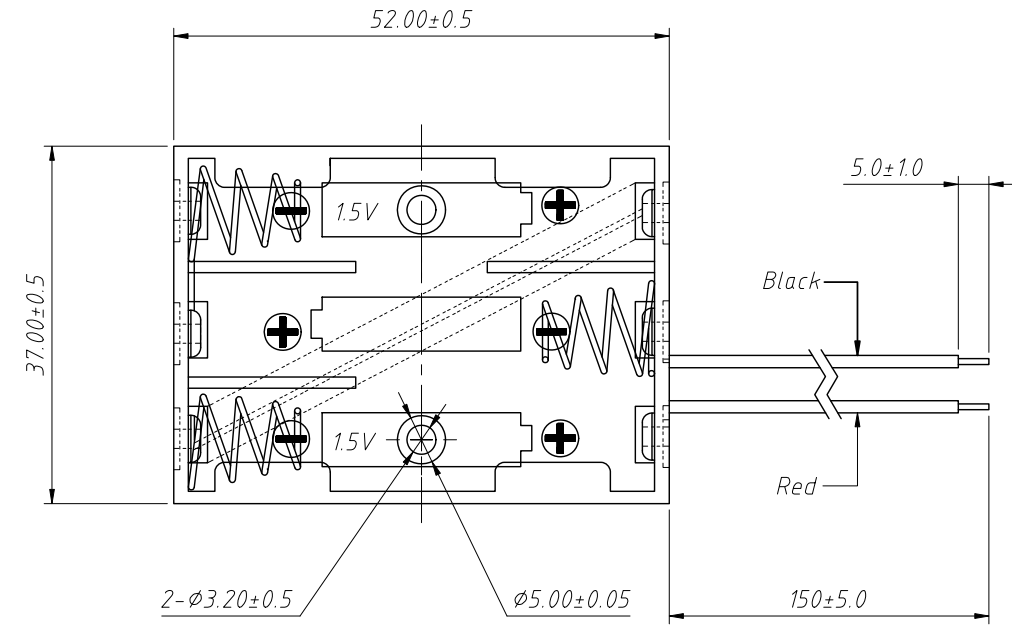
ANGLE TOLERANCE	PROJECTION	Description:			
$\pm 3^\circ$		AAA Battery Holder			
GENERAL TOLERANCE	UNITS	mm	KLS P/N:	L-KLS5-819-B	
x.x $\pm 0.30$	SHEET SIZE	A4			
x.xx $\pm 0.20$	Draw:	Jenny	2024-08-26	NingBo KLS ELECTRONIC CO.,L TD.	
x.xxx $\pm 0.10$	Check:	Daniel	2024-08-26		

1  
RoHS Compliance

2	3	4	5	6	7	8
REV	SYM	Revision Record		Appr.	Date	
V0	KLS05034	New Version Release		Jenny	2024-08-26	



Order Information:  
 L-KLS5-819-B1  
 L: RoHS  
 Cell Box Series  
 Type:  
 B1: With Wire  
 L=15cm or other

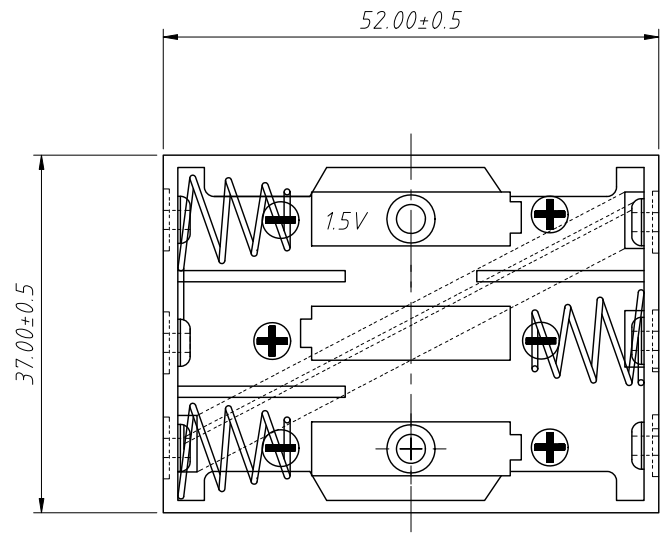


Material:  
 Housing: ABS Resin Black Color  
 Spring: 6mm 65C Spring Wire  
 Wire: UL 1007, 26 AWG Black & Red, L=150mm±5mm

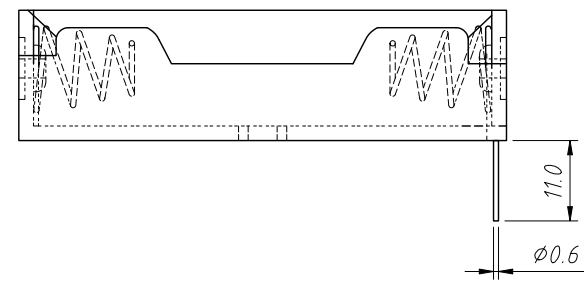
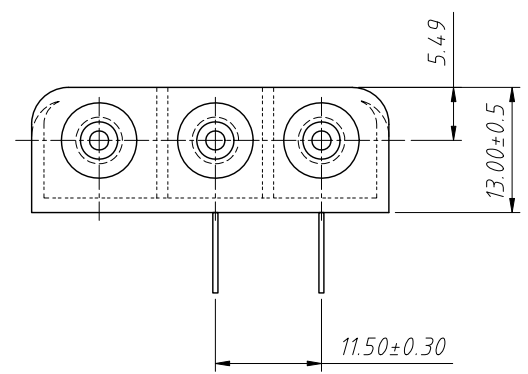
ANGLE TOLERANCE	PROJECTION	Description:			
±3°		AAA Battery Holder			
GENERAL TOLERANCE	UNITS	mm	KLS P/N:		L-KLS5-819-B1
x.x ±0.30	SHEET SIZE	A4			NingBo KLS ELECTRONIC CO.,L TD.
x.xx ±0.20	Draw:	Jenny	2024-08-26		
x.xxx ±0.10	Check:	Daniel	2024-08-26		

1  
RoHS Compliance

6		7		8	
REV	SYM	Revision Record		Appr.	Date
V0	KLS05034	New Version Release		Song	2025-01-10



Material:  
Housing:PP  
Spring:70#Spring Wire, Environmentally Friendly Nickel  
Rivet:Brass,



ANGLE TOLERANCE	PROJECTION	Description:			
±3°		Battery Holder			
GENERAL TOLERANCE	UNITS	mm	KLS P/N:		
x.x ±0.30	SHEET SIZE	A4	L-KLS5-819-D		
x.xx ±0.20	Draw:	Song	2025-01-10	NingBo KLS ELECTRONIC CO.,L TD.	
x.xxx ±0.10	Check:	Daniel	2025-01-10		