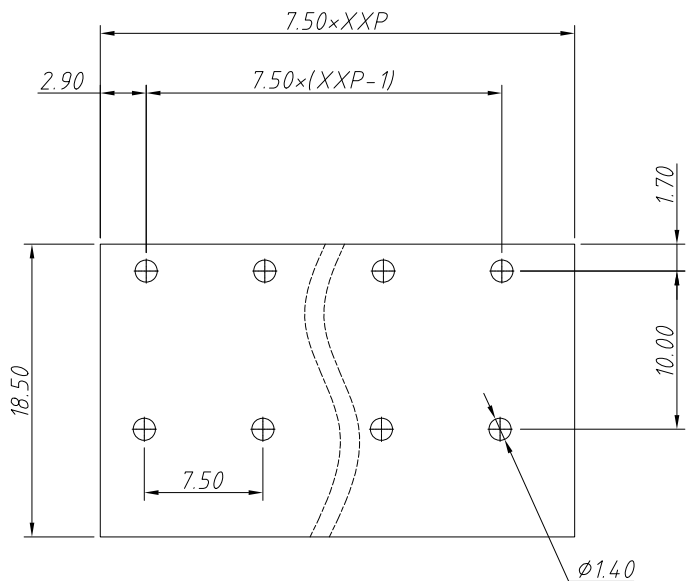
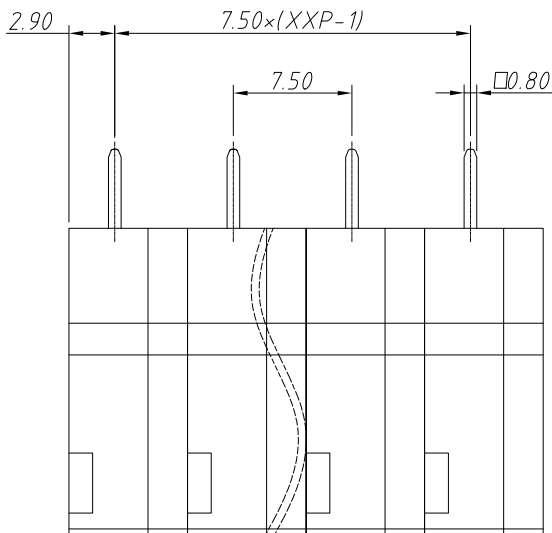


1 RoHS Compliance

REV	SYM	Revision Record	Appr.	Date
V0	KLS02006	New Version Release	WuHao	2024-09-19



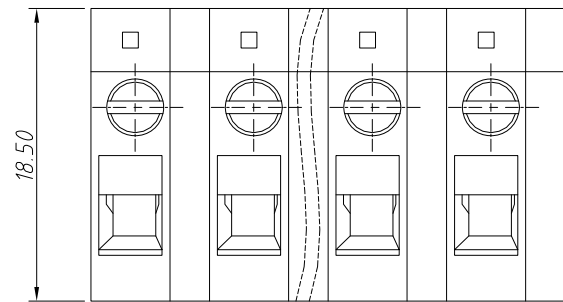
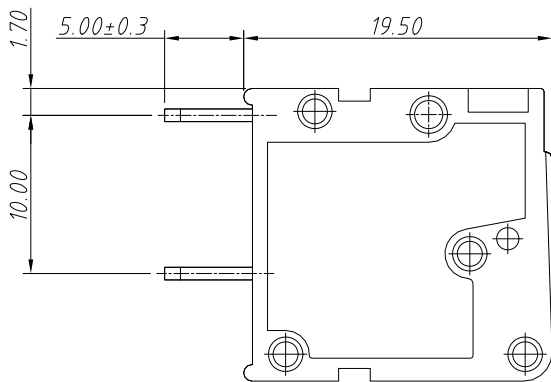
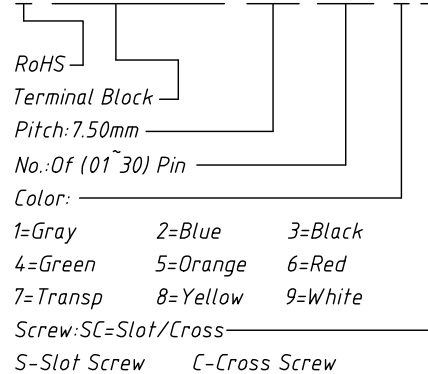
Recommended PCB Layout



Electrical Characteristics	UL	IEC
Rated Voltage	300V	450V
Rated Current	20A	24A
Withstand Voltage	1600V/1 min	6.0KV
Wire Range	12~26AWG	0.5-2.5mm ²

Order Information

L-KLS2-146VA-7.50-XXP-XX



Material and other:
 Housing/Cover: PA66, UL94V-0
 Pin header: Copper Alloy, Sn Plated
 Clamp Block/Cage: Steel Zn Plated
 Screw/Torque: Steel, M2.5 Zn Plated/0.4N.m Max.
 Steip Length: 9mm
 Operating temperatur: -40°C ~ +105°C Soldering Temperature: +260°C/5 S

ANGLE TOLERANCE	PROJECTION	Description:
±3°		Pitch 7.50mm Screw fixation Terminal Block
GENERAL TOLERANCE	UNITS	mm
0~30 ±0.50	SHEET SIZE	A4
30~60 ±0.75	Draw:	WuHao 2024-09-19
60~90 ±1.00	Check:	Daniel 2024-09-19

KLS NingBo KLS ELECTRONIC CO.,L TD.