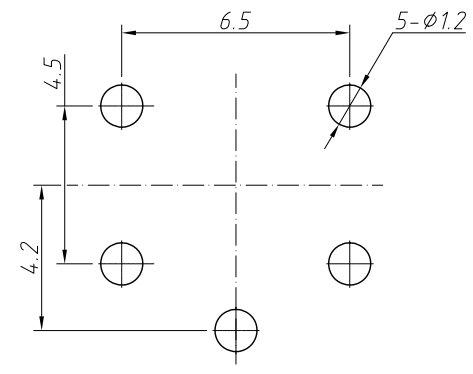
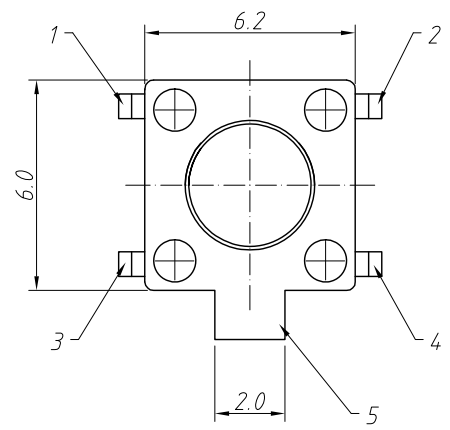


Material:
 1.Button: PPA,Black
 2.Cover plate: cold-rolled steel strip, copper tin
 3.Reed: Composite Silver
 4.Base: PPA,Black
 5.Contact feet: brass, silver plated

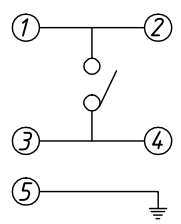
Technique parameter:
 Rating:DC 12V 50mA.
 Contact Resistance:50mΩ Max
 Insulation Resistance: 100MΩ Min
 Withstand Voltage:AC250V (50Hz) / Min
 Operation Temperature:-25°C ~ + 85°C
 Life:100000 Cycles Min



Recommended PCB Layout

Hight H	Diameter A
4.3	∅3.5
4.5	∅3.5
5.0	∅3.5
5.5	∅3.3
6.0	∅3.3
6.5	∅3.3
7.0	∅3.3
7.5	∅3.3
8.0	∅3.3
8.5	∅3.3
9.0	∅3.2
9.5	∅3.2

Order Information:
 L-KLS7-TS6602-8.0-180
 L: RoHS
 Tactile Switches
 Hight
 Operating Force:180±50gf



Circuit Diagram

ANGLE TOLERANCE	PROJECTION	Description:	Tact Switch	
±3°				
GENERAL TOLERANCE	UNITS	mm	KLS P/N:	L-KLS7-TS6602-XX-180
.x ±0.30	SHEET SIZE	A4		
.xx ±0.20	Draw:	WuHao	2025-01-09	NingBo KLS ELECTRONIC CO.,L TD.
.xxx ±0.10	Check:	Daniel	2025-01-09	