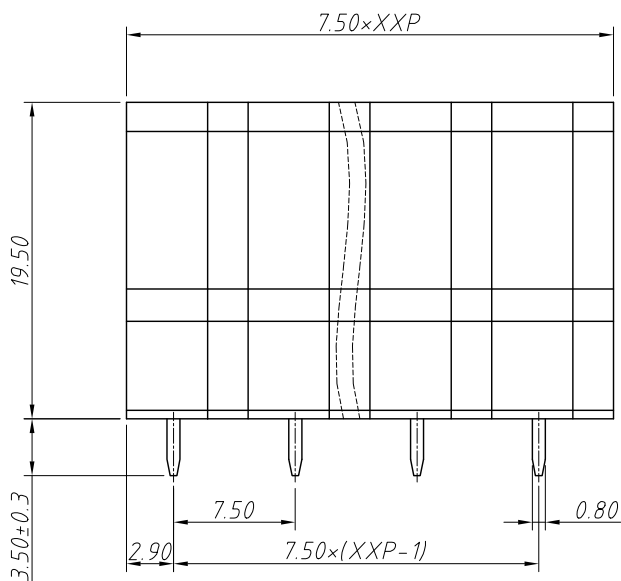
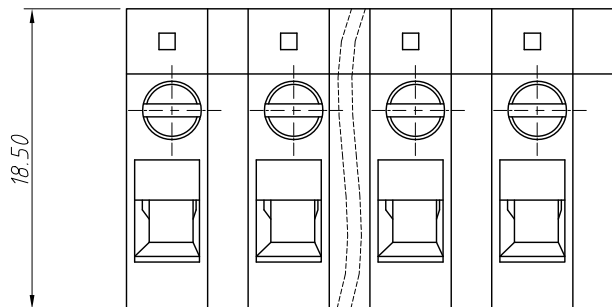


1 RoHS Compliance



Material and other:

Housing: PA66, UL94V-0

Pin header: Copper Alloy, Sn Plated Cage: Steel, Ni Plated

Slide Block: Steel, Zn Plated

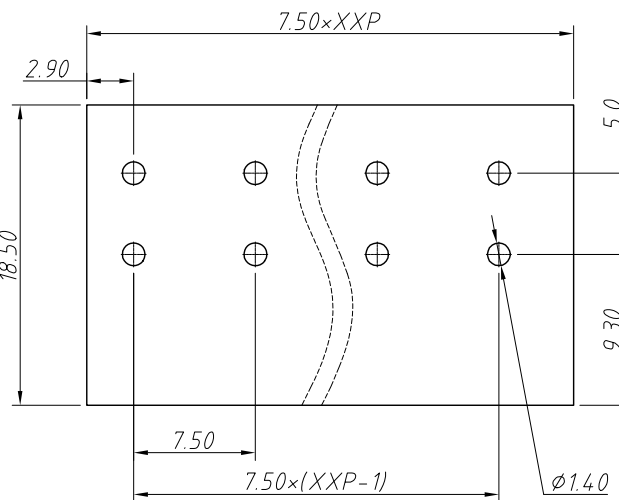
Screw/Torque: M2.5 Zn Plated / 0.4N.m Max.

Contact resistance: 20mΩ

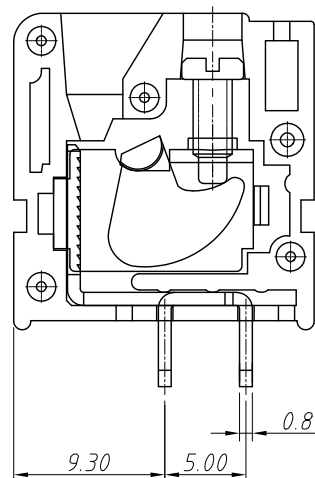
Insulation resistance: 500MΩ/DC500V

Steip Length: 12-13mm

Temp. Range: -40°C ~ +105°C Max Soldering: +250°C, for 5 Sec



Recommended PCB Layout



| REV | SYM      | Revision Record     | Appr. | Date       |
|-----|----------|---------------------|-------|------------|
| V0  | KLS02006 | New Version Release | WuHao | 2024-09-19 |

| Electrical Characteristics | UL            | IEC                |
|----------------------------|---------------|--------------------|
| Rated Voltage              | 300V          | 250V               |
| Rated Current              | 20A           | 24A                |
| Withstand Voltage          | AC2000V/1 min | ---                |
| Wire Range                 | 12~24AWG      | 2.5mm <sup>2</sup> |

Order Information

L-KLS2-146V-7.50-XXP-X X

RoHS

Terminal Block

Pitch: 7.50mm

No.: Of (02~30) Pin

Color:

1=Gray

2=Blue

3=Black

4=Green

5=Orange

6=Red

7=Transp

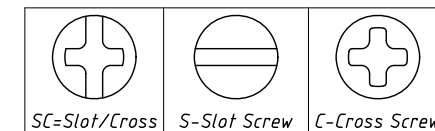
8=Yellow

9=White

Screw: SC=Slot/Cross

S-Slot Screw

C-Cross Screw



| ANGLE TOLERANCE   | PROJECTION | Description:                               |          |                         |
|-------------------|------------|--|----------|-------------------------|
| ±3°               |            | Pitch 7.50mm Screw fixation Terminal Block |          |                         |
| GENERAL TOLERANCE | UNITS      | mm   | KLS P/N: | L-KLS2-146V-7.50-XXP-XX |
| 0~30              | ±0.50      | SHEET SIZE                                 | A4       |                         |
| 30~60             | ±0.75      | Draw:                                      | WuHao    | 2024-09-19              |
| 60~90             | ±1.00      | Check:                                     | Daniel   | 2024-09-19              |



NingBo KLS ELECTRONIC CO.,LTD.