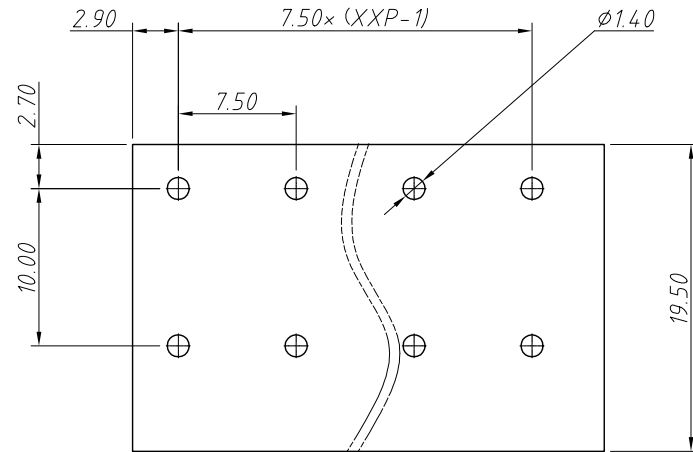


1 RoHS Compliance



Recommended PCB Layout

Material and other:
 Housing/Cover: PA66, UL 94V-0
 Pin header: Copper Alloy, Sn Plated
 Clamp Block/Cage: Steel, Zn Plated
 Screw/Torque: M2.5 Zn Plated /0.4N.m Max.
 Steip Length: 9mm
 Operating temperatur: -40°C ~ +105°C

REV	SYM	Revision Record	Appr.	Date
V0	KLS02006	New Version Release	WuHao	2024-09-19

Electrical Characteristics	UL	IEC
Rated Voltage	300V	450V
Rated Current	20A	24A
Withstand Voltage	1600V/1 min	6.0KV
Wire Range	12~26 AWG	0.5-2.5mm ²

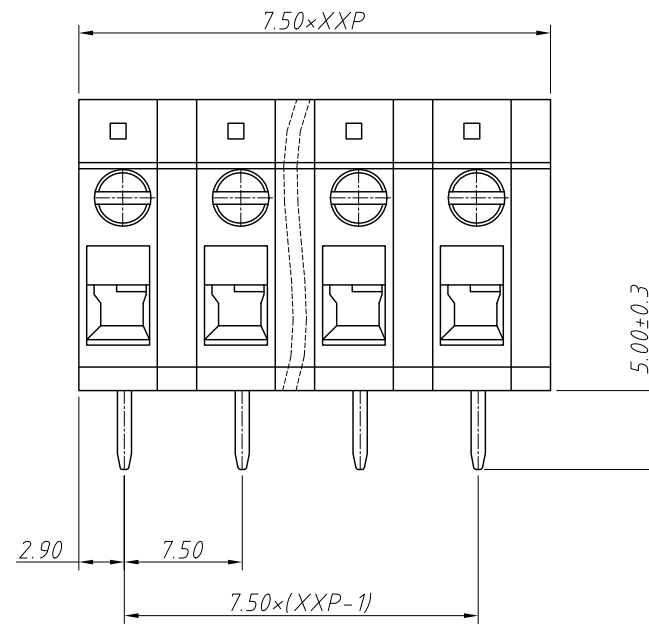
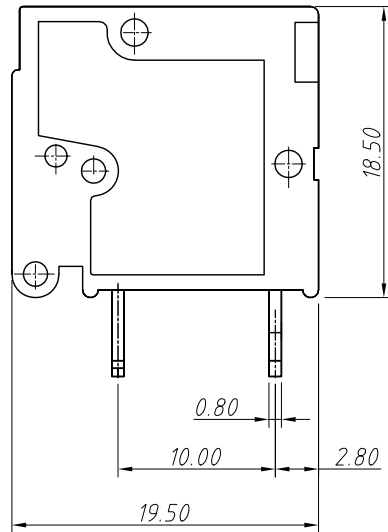
D

E

F

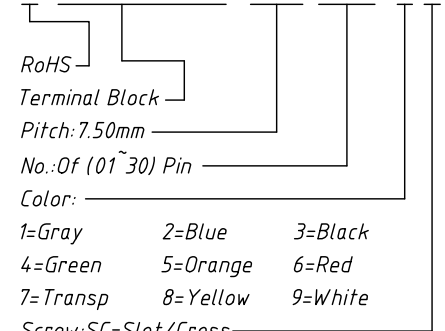
G

H



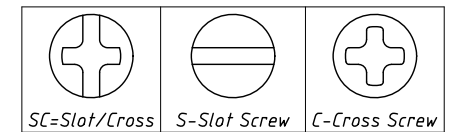
Order Information

L-KLS2-146RA-7.50-XXP-X X



- RoHS
- Terminal Block
- Pitch: 7.50mm
- No.: Of (01~30) Pin
- Color:
- 1=Gray 2=Blue 3=Black
- 4=Green 5=Orange 6=Red
- 7=Transp 8=Yellow 9=White

Screw: SC=Slot/Cross
 S-Slot Screw C-Cross Screw



ANGLE TOLERANCE	PROJECTION	Description:
±3°		Pitch 7.50mm Screw fixation Terminal Block
GENERAL TOLERANCE	UNITS	mm
0~30 ±0.50	SHEET SIZE	A4
30~60 ±0.75	Draw:	WuHao 2024-09-19
60~90 ±1.00	Check:	Daniel 2024-09-19
		KLS NingBo KLS ELECTRONIC CO.,L TD.