

Materials

Base & Cover: PPS (UL 94V-0)

Actuator: PA46 (UL 94V-0).

Contacts: Brass, Gold / Tin Plate

Terminals: Brass, Gold / Tin Plate

Mylar: 0.05mm UL 94V-0 Mylar

Specifications

Contact Rating: 25 mA at 24VDC (switching)

100 mA at 50VDC (steady state)

Life: 1,000 cycles

Contact Resistance: 100mΩ Max.

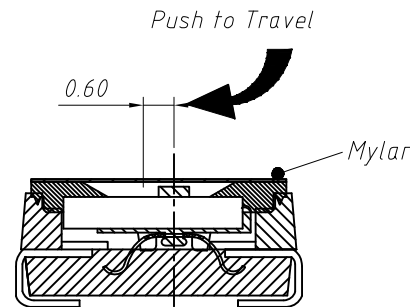
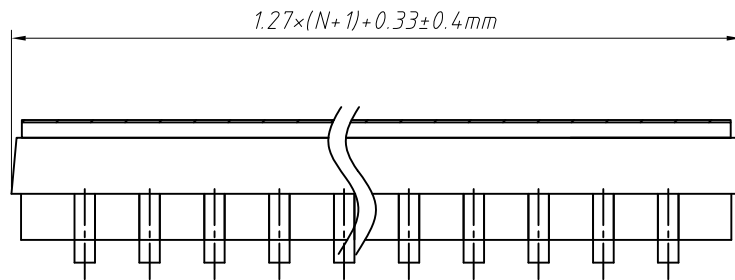
Insulation Resistance: 100MΩ at 100VDC Min

Dielectric Strength: 300VAC Min

Storage Temperature: -40°C ~ 85°C

Operating Temperature: -40°C to 85°C.

Operation Force: 9.8N Max.



Order Information

L-KLS7-KPH-XX-N-X-X

— Packaging: 0=Tube 1=Tape

— 1:With sealed 0:Non-sealed

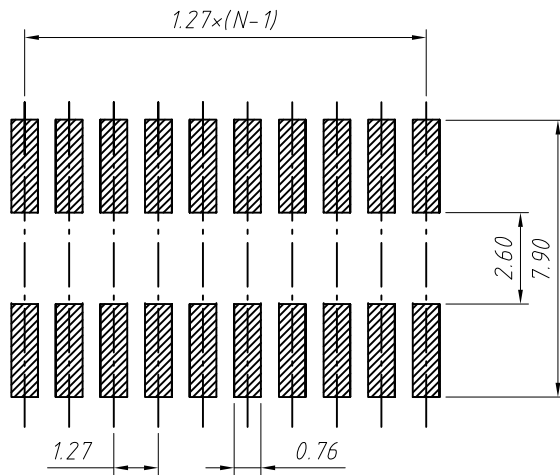
— Color Code: N-Black

— Number of Pos.: 02 ~ 10 Pos

— 1.27mm Half Pitch DIP Switch

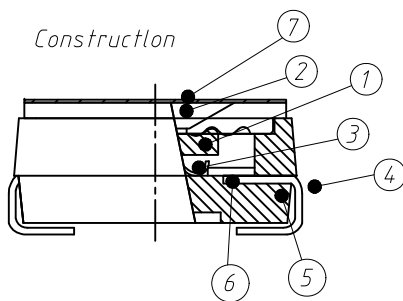
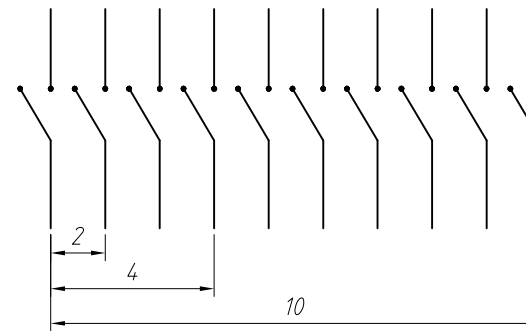
— RoHS

GENERAL TOLERANCE	PROJECTION		Description:
X. ±0.50	UNITS	mm	1.27mm Half Pitch Dip Switch
.X ±0.25	SCALE	1:1	
.XX ±0.10	Draw by:	Jenny	
ANGLE TOLERANCE	Check by:		KLS P/N: L-KLS7-KPH
X. ±5°	Date	2018-03-01	NingBo KLS ELECTRONIC CO.,L TD.
.X ±3°	SHEET	1 OF 2	
.XX ±2°			



Recommended PCB Layout (Top View)

Schematic



Number	Part Name	Material	Finished
1	Actuator	UL94 V0	White
2	Cover	UL94 V0	Black
3	Movable	Beryllium Copper	3u" Gold
4	Terminal	Brass	1u" Gold
5	Base	UL94 V0	Black
6	Terminal Contact	Brass	3u" Gold
7	Mylar	UL94 V0	0.05mm

GENERAL TOLERANCE		PROJECTION		Description:
X.	±0.50	UNITS	mm	1.27mm Half Pitch Dip Switch
.X	±0.25	SCALE	1:1	
.XX	±0.10	Draw by:	Jenny	
ANGLE TOLERANCE		Check by:		KLS P/N: L-KLS7-KPH
X.	±5°	Date	2018-03-01	NingBo KLS ELECTRONIC CO.,L TD.
.X	±3°	SHEET	2 OF 2	
.XX	±2°			