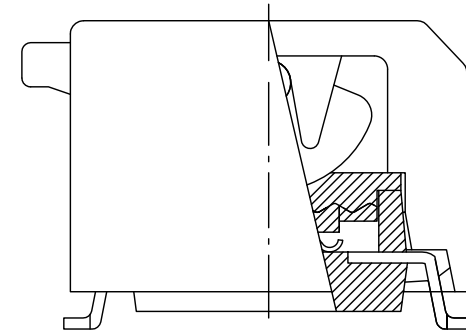
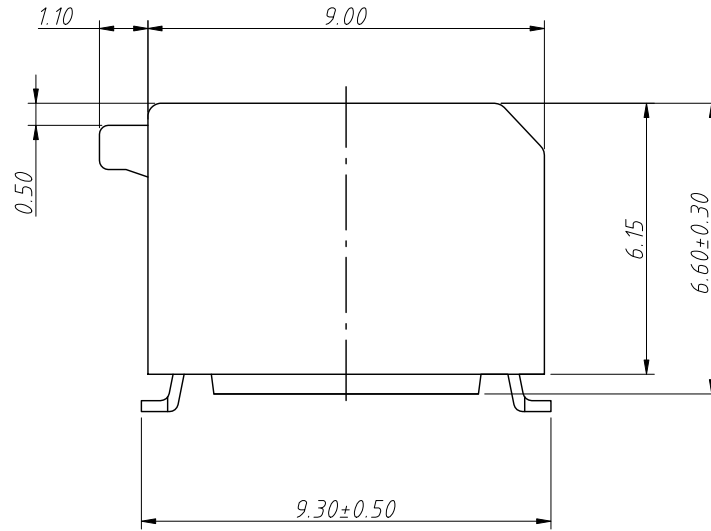
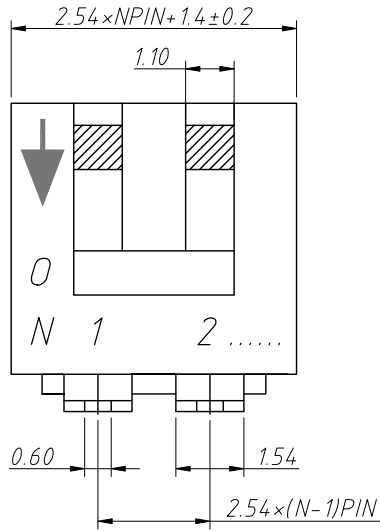


1 RoHS Compliance

6	7	8
REV	SYM	Revision Record
V0	KLS07086	New Version Release
		Appr. Song
		Date 2024-04-23



Notes:

1.Material:

Actuator:UL 94 V-0,White

Cover:UL 94 V-0,Black

Movable:Copper Alloy,3u" Gold Plated

Terminal:Brass,1u"(Min.)Gold Flash On Soldertail

3u"Gold Plating On Contact Area

50u"Nickel Plating Under Plating Overall

Base:UL 94 V-0,Black

2.Electric:

Operating Force:500gf Max

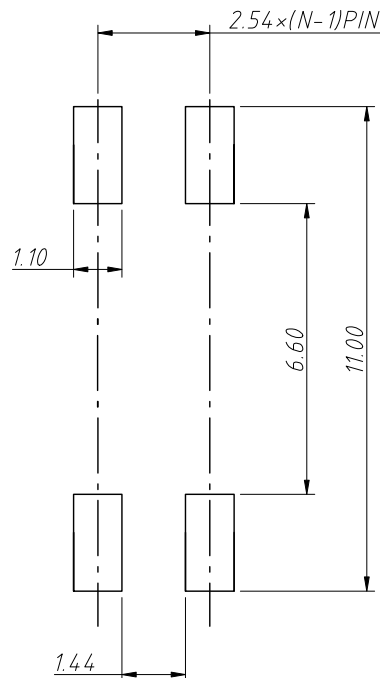
Operating Temperature:-30°C ~ +85°C

Storage Temperature:-40°C ~ +85°C

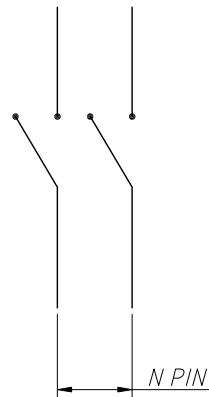
Mechanical Life:3000 Cycles Min

Switching:25mA At 24 V DC

NON-Switching:100mA At 50V DC



Schematic



Order Information

L-KLS7- VT- 02- N- 0 0

RoHS

Part NO.

VT:

New Piano Type SMD

Type Dip Switch

NO. of Pos.:

Color:N=Black

0:Without Sealed

Packaging:0=Tube

RECOMMENDED P.C.B. LAYOUT (TOP VIEW)

ANGLE TOLERANCE	PROJECTION	Description:	DIP Switch	
±3°				
GENERAL TOLERANCE	UNITS	mm	KLS P/N:	L-KLS7-VT-XX-N-00
.x ±0.25	SHEET SIZE	A4		
.xx ±0.15	Draw:	Song	2024-04-23	NingBo KLS ELECTRONIC CO.,L TD.
.xxx ±0.10	Check:	Daniel	2024-04-23	