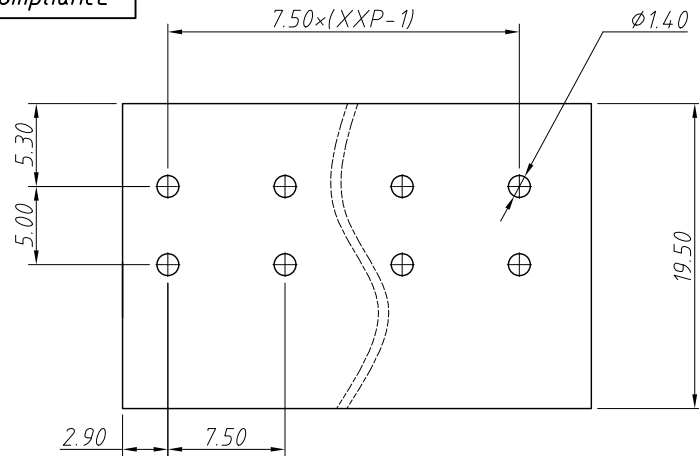
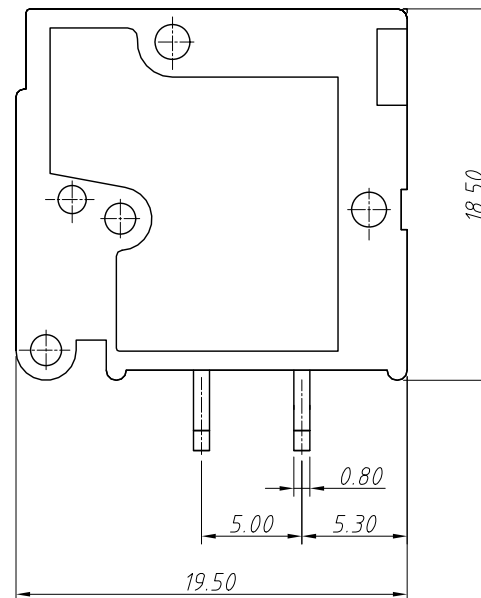
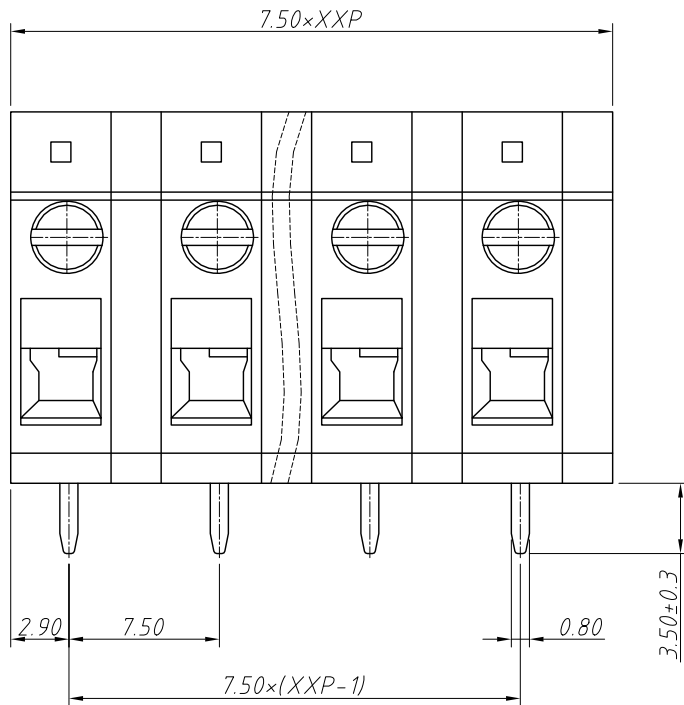


1 RoHS Compliance



Recommended PCB Layout



REV	SYM	Revision Record	Appr.	Date
V0	KLS02006	New Version Release	WuHao	2024-09-19

Electrical Characteristics	UL	IEC
Rated Voltage	300V	450V
Rated Current	20A	24A
Withstand Voltage	1600V/1 min	6.0KV
Wire Range	12~26 AWG	0.5-2.5mm ²

Material and other:

Housing:PA66, UL94V-0

Pin header:Copper Alloy,Sn Plated

Screw/Torque:M2.5/0.4N.m Max.

Soldering Temperayure:+260°C/ 5 S

Operating temperatur:-40°C ~ +105°C

Order Information

L-KLS2-146R-7.50-XXP-X X

RoHS

Terminal Block

Pitch:7.50mm

No.:Of (01~30) Pin

Color:

1=Gray

2=Blue

3=Black

4=Green

5=Orange

6=Red

7=Transp

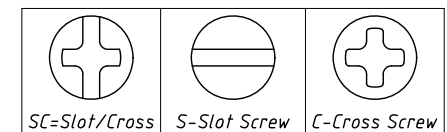
8=Yellow

9=White

Screw:SC=Slot/Cross

S-Slot Screw

C-Cross Screw



ANGLE TOLERANCE	PROJECTION	Description:
±3°		Pitch 7.50mm Screw fixation Terminal Block
GENERAL TOLERANCE	UNITS	mm
0~30	±0.50	
30~60	±0.75	
60~90	±1.00	
	SHEET SIZE	A4
	Draw:	WuHao
	Check:	Daniel
	KLS P/N:	L-KLS2-146R-7.50-XXP-XX
		NingBo KLS ELECTRONIC CO.,L TD.