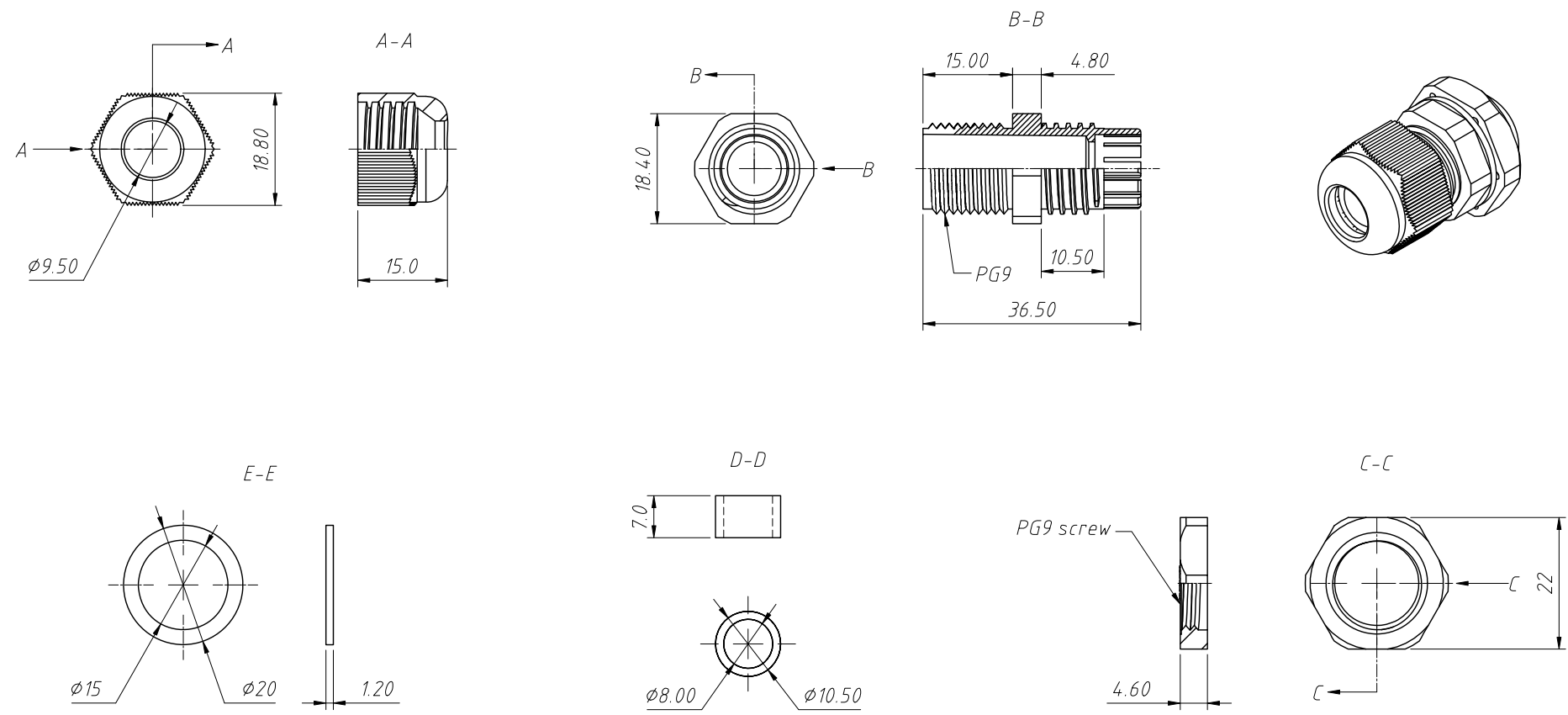


1
RoHS Compliance

7		8	
REV	SYM	Revision Record	Appr.
V0	KLS08257	New Version Release	Jenny
			Date
			2024-04-03



Order Information:
L-KLS8-0627-PG-09-B
 L: RoHS
 0627: PG Long Type
 Nylon Cable Glands
 PG-9: Item No.
 Color Code: B-Black G-Gray

Material: Nylon PA6, UL94V-2
 Characteristics: IP68
 Color: Black/Gray
 Note:
 Cable Range: 4~8mm²
 Low temperature resistance: -30°C~100°C

ANGLE TOLERANCE	PROJECTION	Description:	PG-9 Waterproof Joint(Long Type) With Gasket, RoHS
±3°			
GENERAL TOLERANCE	UNITS	mm	KLS P/N:
x.x ±0.30	SHEET SIZE	A4	L-KLS8-0627-PG-09-X
x.xx ±0.20	Draw:	Jenny	2024-04-03
x.xxx ±0.10	Check:	Daniel	2024-04-03

