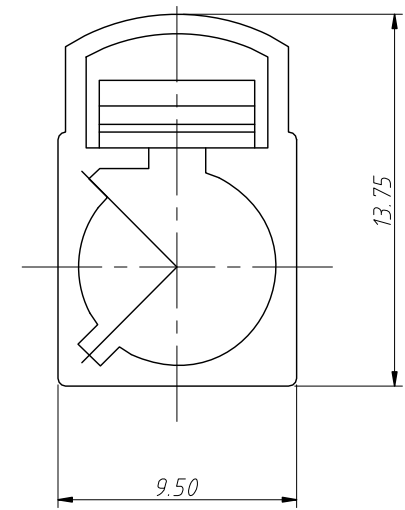
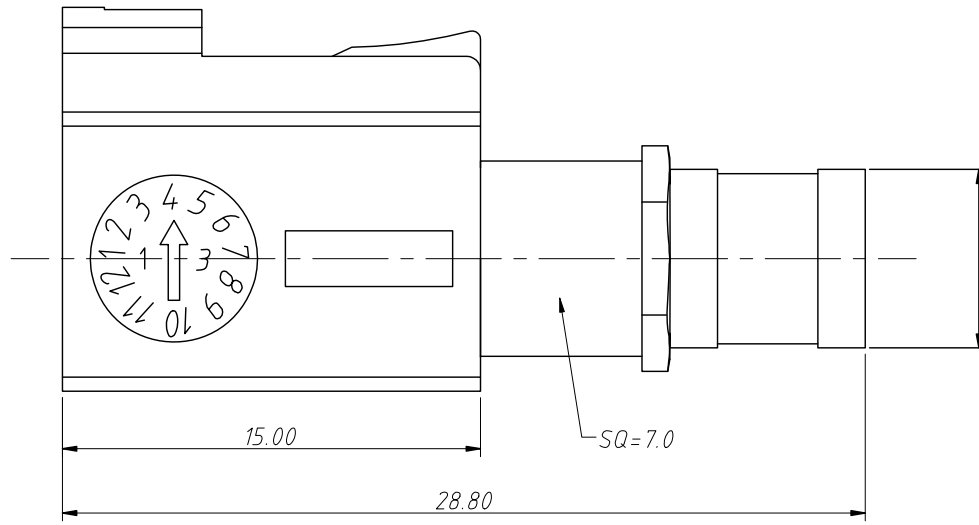


1  
RoHS Compliance



ANGLE TOLERANCE	PROJECTION		Description:	
±3°			Adapter FAKRA jack To SMB jack	
GENERAL TOLERANCE	UNITS	mm	KLS P/N:	L-KLS1-FAKRA100-A-XXXX-1-X
x.x ±0.30	SHEET SIZE	A4	1 Of 2	NingBo KLS ELECTRONIC CO.,L TD.
x.xx ±0.20	Draw:	Daniel	2024-11-15	
x.xxx ±0.03	Check:	Daniel	2024-11-15	

1  
RoHS Compliance

Card slot direction	Code	Color	RAL	Order Information
	A	Black	sim.9005	FAKRA100-A-9005-1-G
	B	White	sim.9001	FAKRA100-A-9001-1-G
	C	Blue	sim.5005	FAKRA100-A-5005-1-G
	D	Bordeaux Violet	sim.4004	FAKRA100-A-4004-1-G
	E	Green	sim.6002	FAKRA100-A-6002-1-G
	F	Brown	sim.8011	FAKRA100-A-8011-1-G
	G	Grey	sim.7031	FAKRA100-A-7031-1-G
	H	Violet	sim.4003	FAKRA100-A-4003-1-G
	I	Beige	sim.1001	FAKRA100-A-1001-1-G
	J	Curry	sim.1027	FAKRA100-A-1027-1-G
	K	Curry	sim.1027	FAKRA100-A-1027-1-G
	L	Carmine Red	sim.3002	FAKRA100-A-3002-1-G
	M	Pastel orange	sim.2003	FAKRA100-A-2003-1-G
	N	Pastel Green	sim.6019	FAKRA100-A-6019-1-G
	O	Pastel Green	sim.6019	FAKRA100-A-6019-1-G
	P	Pastel Green	sim.6019	FAKRA100-A-6019-1-G
	Q	Water Blue	sim.5021	FAKRA100-A-5021-1-G
	R	Water Blue	sim.5021	FAKRA100-A-5021-1-G

Material:  
Body: Brass, Gold Plated  
Insulator: PTFE

System Requirements:  
Device With One Free FAKRA For SMB Port.

Specification:  
1 x FAKRA jack to 1 x SMB Jack  
Frequency Range: DC To 4 GHz  
Dimensions (LxWxH): Ca. 28.80 x 13.75 x 9.50 mm

Order Information  
L-KLS1-FAKRA100-A-XXXX-1-G

RoHS \_\_\_\_\_  
Card Slot Direction: A=Up \_\_\_\_\_  
RAL: \_\_\_\_\_  
9005 Or 9001,5005,4004,6002,8011,7031,  
4003,1001,1027,3002,2003,6019,5021  
Size-1..... \_\_\_\_\_  
Plating: \_\_\_\_\_  
G-Gold Plated N-Nickel Plated T-Tin Plated

ANGLE TOLERANCE	PROJECTION	Description:
±3°		Adapter FAKRA jack To SMB jack
GENERAL TOLERANCE	UNITS	mm
x.x ±0.30	SHEET SIZE	A4
x.xx ±0.20	Draw:	Daniel
x.xxx ±0.03	Check:	Daniel
KLS P/N:		L-KLS1-FAKRA100-A-XXXX-1-X
2 Of 2		
2024-11-15		NingBo KLS ELECTRONIC CO.,L TD.
2024-11-15		