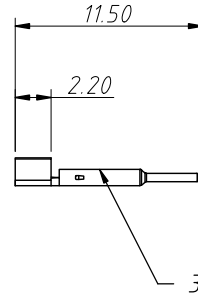
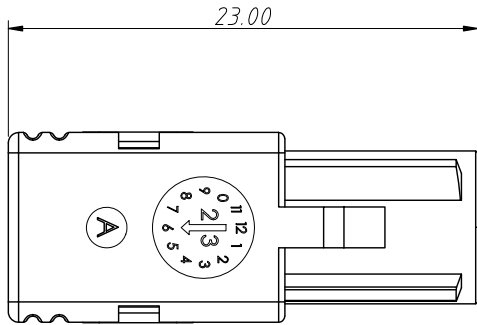
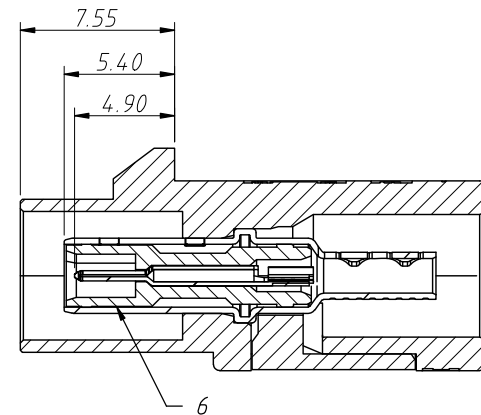
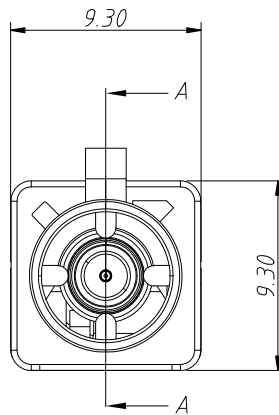
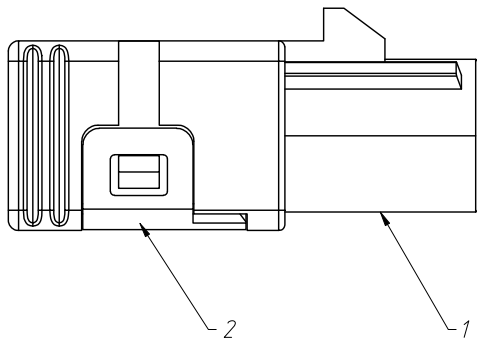
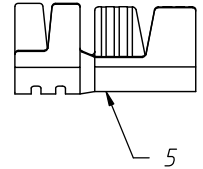
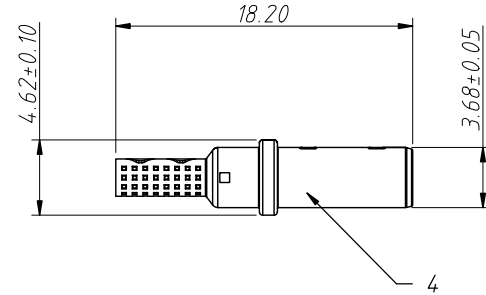


1  
RoHS Compliance

Dimensions Of Connectors After Assembling Cables



Components completed in the factory



Section A-A

ANGLE TOLERANCE	PROJECTION	Description:		
±3°		Fakra Plug Connector RG174, RG316 For Crimping		
GENERAL TOLERANCE	UNITS	mm	KLS P/N:	L-KLS1-FAKRA71-A-XXXX-1
x.x ±0.30	SHEET SIZE	A4	1 OF 2	NingBo KLS ELECTRONIC CO.,L TD.
x.xx ±0.20	Draw:	Daniel	2024-11-08	
x.xxx ±0.03	Check:	Daniel	2024-11-08	

1  
RoHS Compliance

Card slot direction	Code	Color	RAL	Order Information
	A	Black	sim.9005	FAKRA71-A-9005-1
	B	White	sim.9001	FAKRA71-A-9001-1
	C	Blue	sim.5005	FAKRA71-A-5005-1
	D	Bordeaux Violet	sim.4004	FAKRA71-A-4004-1
	E	Green	sim.6002	FAKRA71-A-6002-1
	F	Brown	sim.8011	FAKRA71-A-8011-1
	G	Grey	sim.7031	FAKRA71-A-7031-1
	H	Violet	sim.4003	FAKRA71-A-4003-1
	I	Beige	sim.1001	FAKRA71-A-1001-1
	J	Curry	sim.1027	FAKRA71-A-1027-1
	K	Curry	sim.1027	FAKRA71-A-1027-1
	L	Carmine Red	sim.3002	FAKRA71-A-3002-1
	M	Pastel orange	sim.2003	FAKRA71-A-2003-1
	N	Pastel Green	sim.6019	FAKRA71-A-6019-1
	O	Pastel Green	sim.6019	FAKRA71-A-6019-1
	P	Water Blue	sim.5021	FAKRA71-A-5021-1

Material:  
 1.Housing:PA66  
 2.Secondary lock:PA66  
 3.Terminal:Copper Alloy,Au Plated  
 4.Outer conductor:Copper Alloy,Ni Plated  
 5.Wire clamp:Copper Alloy,Ni Plated  
 6.Insulator: LCP

Electrical:  
 Contact Resistance: 50mOHM Max  
 VSWR:0-6GHz 1.58Max  
 Rating Voltage:60V/DC  
 Rating Current: 1A/PIN.  
 Insulation Resistance: 1000MOHM Min.  
 Mating Cycles: 25 Times Min.  
 Operation Temperature:-40°C ~ +105°C

Notes:  
 Part 3.4.5 is assembled together and the other parts are individually packaged

Order Information  
 L-KLS1-FAKRA71-A-XXXX-1  
  
 RoHS  
 Card Slot Direction:A=Up  
 RAL:  
 9005 Or 9001,5005,4004,6002,8011,7031,4003,1001,1027,3002,2003,6019,5021  
 Size-1.....

ANGLE TOLERANCE	PROJECTION		Description:	
±3°			Fakra Plug Connector RG174, RG316 For Crimping	
GENERAL TOLERANCE	UNITS	mm	KLS P/N:	L-KLS1-FAKRA71-A-XXXX-1
x.x ±0.30	SHEET SIZE	A4	2 Of 2	NingBo KLS ELECTRONIC CO.,L TD.
x.xx ±0.20	Draw:	Daniel	2024-11-08	
x.xxx ±0.03	Check:	Daniel	2024-11-08	