

1
RoHS Compliance

2

3

4

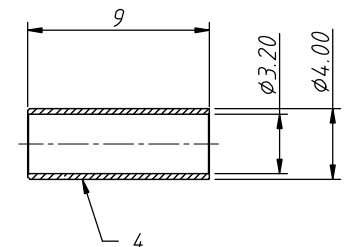
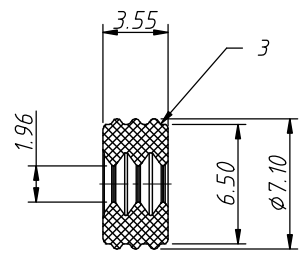
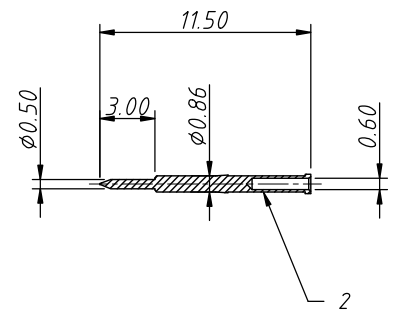
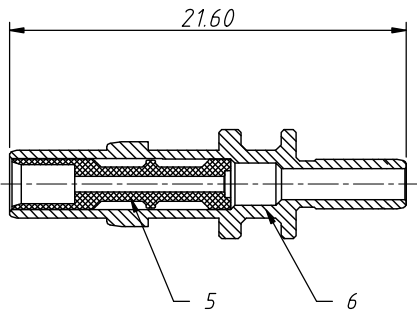
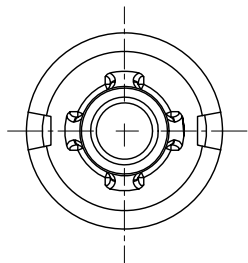
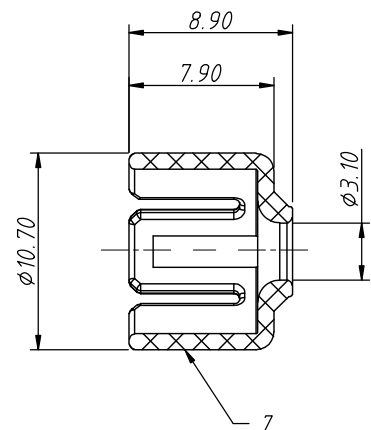
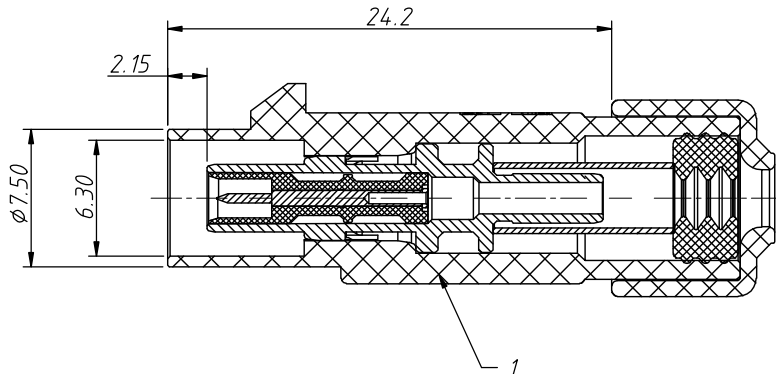
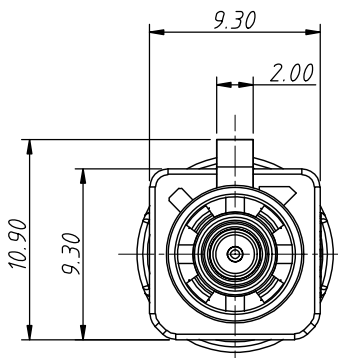
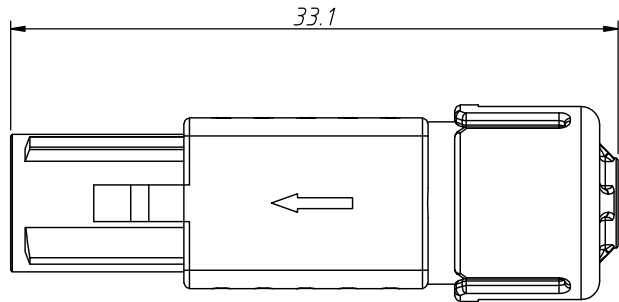
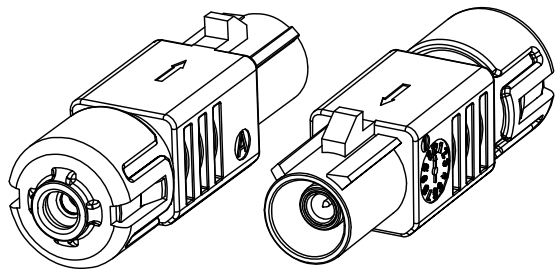
5

6

7

8

The Size Of The Connector After Assembling The Cable



ANGLE TOLERANCE	PROJECTION	Description:		
±3°		Fakra Plug Connector RG174, RG316 For Crimping		
GENERAL TOLERANCE	UNITS	mm	KLS P/N:	L-KLS1-FAKRA70B-A-XXXX-1
x.x ±0.30	SHEET SIZE	A4	1 OF 2	NingBo KLS ELECTRONIC CO.,L TD.
x.xx ±0.20	Draw:	Daniel	2024-11-08	
x.xxx ±0.03	Check:	Daniel	2024-11-08	

1

2

3

4

5

6

7

8

1
RoHS Compliance

Card slot direction	Code	Color	RAL	Order Information
	A	Black	sim.9005	FAKRA70B-A-9005-1
	B	White	sim.9001	FAKRA70B-A-9001-1
	C	Blue	sim.5005	FAKRA70B-A-5005-1
	D	Bordeaux Violet	sim.4004	FAKRA70B-A-4004-1
	E	Green	sim.6002	FAKRA70B-A-6002-1
	F	Brown	sim.8011	FAKRA70B-A-8011-1
	G	Grey	sim.7031	FAKRA70B-A-7031-1
	H	Violet	sim.4003	FAKRA70B-A-4003-1
	I	Beige	sim.1001	FAKRA70B-A-1001-1
	K	Curry	sim.1027	FAKRA70B-A-1027-1
	L	Carmine Red	sim.3002	FAKRA70B-A-3002-1
	M	Pastel orange	sim.2003	FAKRA70B-A-2003-1
	N	Pastel Green	sim.6019	FAKRA70B-A-6019-1
	Z	Water Blue	sim.5021	FAKRA70B-A-5021-1

Material:
 1.Housing:PA66
 2.PIN:Copper Alloy,Au Plated
 3.Plug:Silicon Rubber
 4.Clamp:Copper Alloy,Ni Plated
 5.Insulator:LCP
 6.Body:Copper Alloy,Ni Plated
 7.Tail Cap:PA66

Electrical:
 Contact Resistance: 50mOHM Max
 Frequency Range:DC to 6GHz
 VSWR:0-6GHz 1.58Max
 Rating Voltage:60V/DC
 Rating Current:1A/PIN
 Insulation Resistance:1000M0HM Min
 Mating Cycles:25 Times Min
 Operation Temperature::-40°C ~ +105°C

Notes:
 Part 5.6 is assembled together and the other parts are individually packaged

Order Information
 L-KLS1-FAKRA70B-A-9005-1

 RoHS
 Card Slot Direction:A=Up
 RAL:
 9005 Or 9001,5005,4004,6002,8011,7031,4003,1001,1027,3002,2003,6019,5021
 Size-1,2,3,4...

ANGLE TOLERANCE	PROJECTION	Description:	Fakra Plug Connector RG174, RG316 For Crimping
±3°			
GENERAL TOLERANCE	UNITS	mm	KLS P/N:
x.x ±0.30	SHEET SIZE	A4	L-KLS1-FAKRA70B-A-XXXX-1
x.xx ±0.20	Draw:	Daniel	2024-11-08
x.xxx ±0.03	Check:	Daniel	2024-11-08



NingBo KLS ELECTRONIC CO.,L TD.