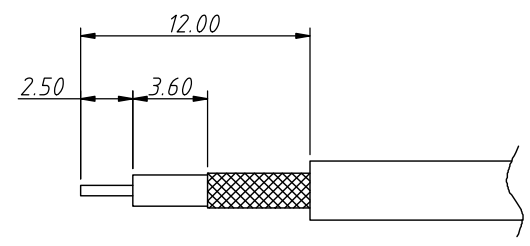
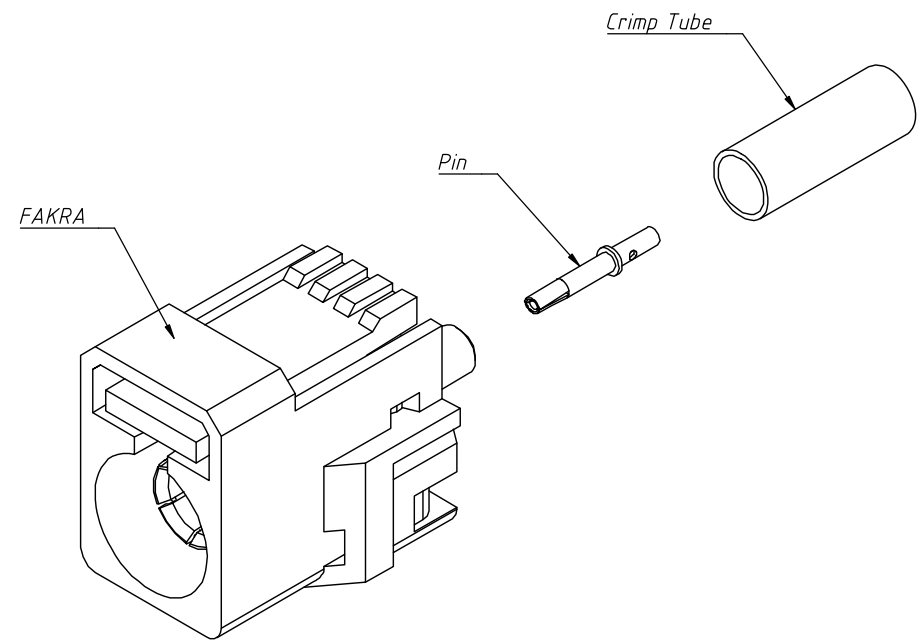
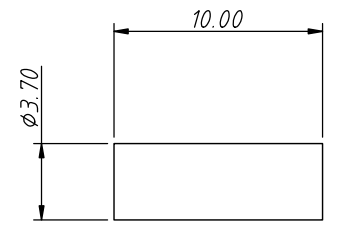
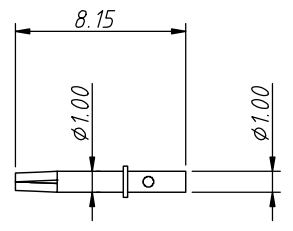
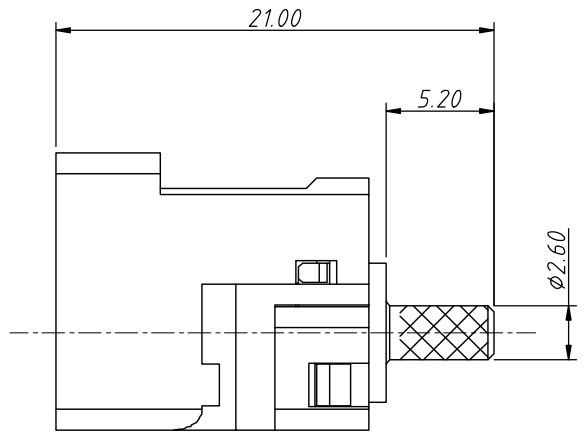
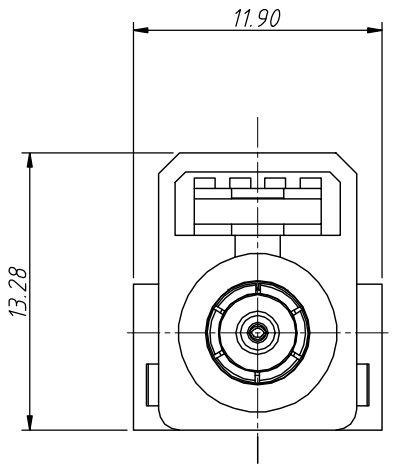


1
RoHS Compliance



Center Conductor

ANGLE TOLERANCE	PROJECTION	Description:	Fakra Jack Connector	
$\pm 3^\circ$			RG174, RG316 For Crimping	
GENERAL TOLERANCE	UNITS	mm	KLS P/N:	L-KLS1-FAKRA50-A-XXXX-1
.x ± 0.30	SHEET SIZE	A4	1 OF 2	NingBo KLS ELECTRONIC CO.,L TD.
.xx ± 0.20	Draw:	Song	2024-11-08	
.xxx ± 0.10	Check:	Daniel	2024-11-08	

1
RoHS Compliance

Card slot direction	Code	Color	RAL	Order Information
	A	Black	sim.9005	FAKRA50-A-9005-1
	B	White	sim.9001	FAKRA50-A-9001-1
	C	Blue	sim.5005	FAKRA50-A-5005-1
	D	Bordeaux	sim.4004	FAKRA50-A-4004-1
	E	Green	sim.6002	FAKRA50-A-6002-1
	F	Brown	sim.8011	FAKRA50-A-8011-1
	G	Grey	sim.7031	FAKRA50-A-7031-1
	H	Violet	sim.4003	FAKRA50-A-4003-1
	I	Beige	sim.1001	FAKRA50-A-1001-1
	J	Curry	sim.1027	FAKRA50-A-1027-1
	K	Carmin	sim.3002	FAKRA50-A-3002-1
	L	Pastelorange	sim.2003	FAKRA50-A-2003-1
	M	Pastel Green	sim.6019	FAKRA50-A-6019-1
	N	Waterblue	sim.5021	FAKRA50-A-5021-1

Material:
Pin/Body/Crimp Tube:Brass
Housing/Cover:High Temperature Plastic,UL94V-0

Plating:
Contact:Au 1~3u"
Body/Crimp Tube:Over 50 "Min.Ni Underplated Overall

Packing:PE Bag

Order Information
L-KLS1-FAKRA50-A-9005-1
RoHS
Card Slot Direction:A=Up
RAL:5005 Or
9001,9005,4004,6002,8011,7031,
4003,1001,1027,3002,2003,6019,5021
Size-1,2,3,4...

ANGLE TOLERANCE	PROJECTION	Description:	Fakra Jack Connector
±3°			RG174, RG316 For Crimping
GENERAL TOLERANCE	UNITS	mm	KLS P/N:
.x ±0.30	SHEET SIZE	A4	L-KLS1-FAKRA50-A-XXXX-1
.xx ±0.20	Draw:	Song	2024-11-08
.xxx ±0.10	Check:	Daniel	2024-11-08



NingBo KLS ELECTRONIC CO.,L TD.