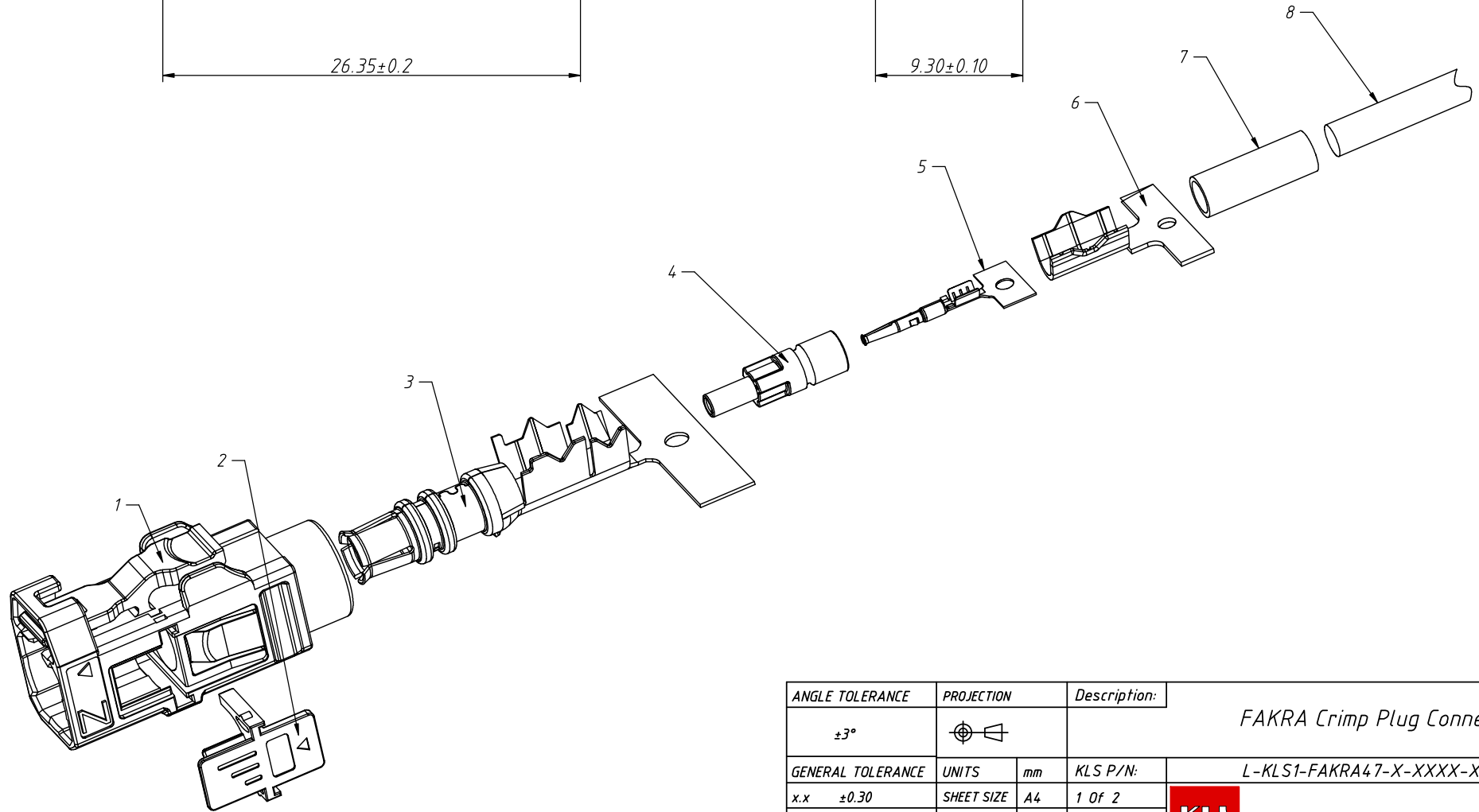
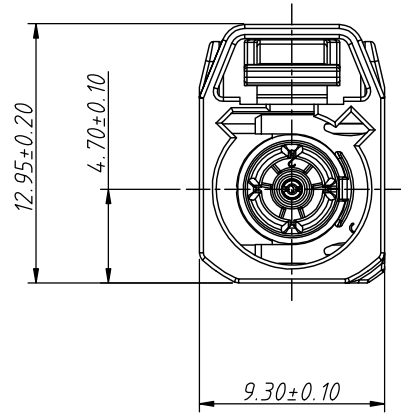
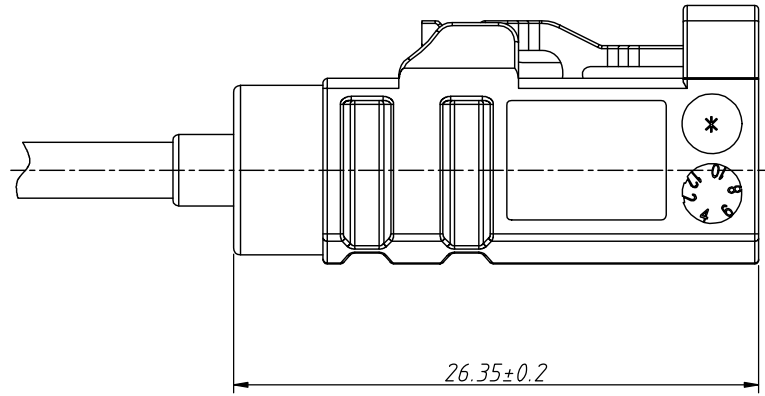


1
RoHS Compliance



ANGLE TOLERANCE	PROJECTION	Description:		
±3°		FAKRA Crimp Plug Connector		
GENERAL TOLERANCE	UNITS	mm	KLS P/N:	L-KLS1-FAKRA47-X-XXXX-X
x.x ±0.30	SHEET SIZE	A4	1 OF 2	NingBo KLS ELECTRONIC CO.,L TD.
x.xx ±0.20	Draw:	Daniel	2024-06-06	
x.xxx ±0.03	Check:	Daniel	2024-06-06	

1
RoHS Compliance

Card slot direction	Code	Color	RAL	Order Information
	A	Black	sim.9005	FAKRA47-A-9005-1
	B	White	sim.9001	FAKRA47-A-9001-1
	C	Blue	sim.5005	FAKRA47-A-5005-1
	D	Bordeaux Violet	sim.4004	FAKRA47-A-4004-1
	E	Green	sim.6002	FAKRA47-A-6002-1
	F	Brown	sim.8011	FAKRA47-A-8011-1
	G	Grey	sim.7031	FAKRA47-A-7031-1
	H	Violet	sim.4003	FAKRA47-A-4003-1
	I	Beige	sim.1001	FAKRA47-A-1001-1
	K	Curry	sim.1027	FAKRA47-A-1027-1
	L	Carmine Red	sim.3002	FAKRA47-A-3002-1
	M	Pastel orange	sim.2003	FAKRA47-A-2003-1
	N	Pastel Green	sim.6019	FAKRA47-A-6019-1
	Z	Water Blue	sim.5021	FAKRA47-A-5021-1

Material:

- 1.Main Plastic:PBT
- 2.Secondary Lock: PBT, RAL4006,Traffic Purple
- 3.Stamped Shielding Shell: C5191, nickel plated at the bottom, tin plated in the crimping area
- 4.Inner insulation core: PA12, natural color
- 5.Central Female Terminal:C5210, Bottom Nickel Plated, Gold Flash Plated On Contact Area
- 6.Crimping Ring: C2680, Bottom Nickel Plated, Surface Tin Plated
- 7.Heat Shrink Tubing:Black
- 8.Coaxial Cable:RG174

Technical:

- 1.Key Positions And Colors Can Be Found In The Attached Table
- 2.Interface Standard:1S020860-1, DIN 72594-1
- 3.Durable Insertion And Extraction Times: 25 Times
- 4.Overall Retention Force:> 110N
- 5.Key Position Error Prevention Force:
>80N (Outside The Z Key Position)
- 6.Environmental Harmful Substances Meet RoHS Requirements

Order Information

L-KLS1-FAKRA47-A-9005-1

RoHS

Card Slot Direction:
A=up B=down C=Left D=Right

RAL:

9005 Or 9001,5005,4004,6002,8011,7031,
4003,1001,1027,3002,2003,6019,5021
Size-1,2,3,4...

ANGLE TOLERANCE	PROJECTION		Description:	FAKRA Crimp Plug Connector
±3°				
GENERAL TOLERANCE	UNITS	mm	KLS P/N:	L-KLS1-FAKRA47-X-XXXX-1
x.x ±0.30	SHEET SIZE	A4	2 Of 2	
x.xx ±0.20	Draw:	Daniel	2024-06-06	
x.xxx ±0.03	Check:	Daniel	2024-06-06	

NingBo KLS ELECTRONIC CO.,L TD.