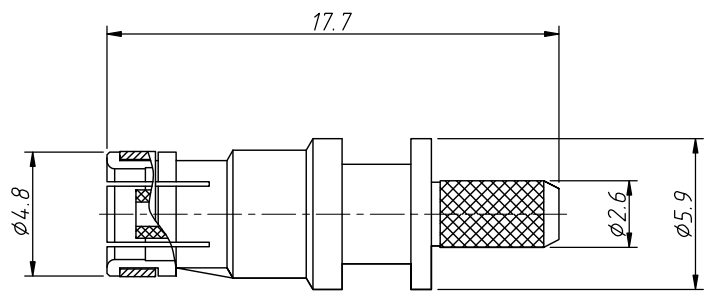
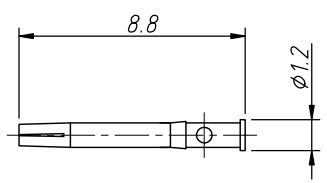


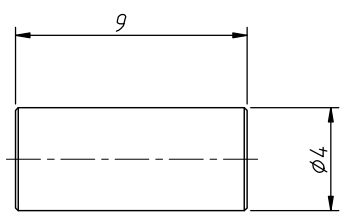
1  
RoHS Compliance



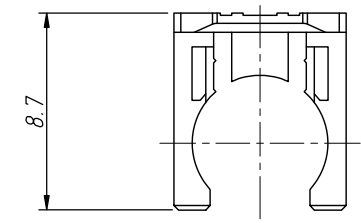
Body



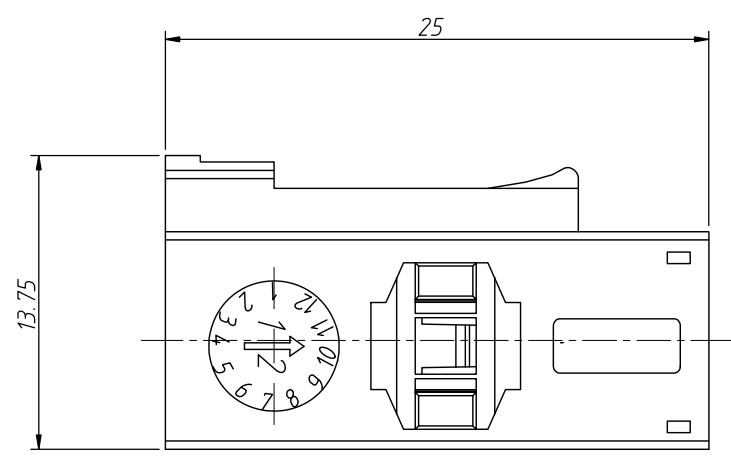
Pin contact



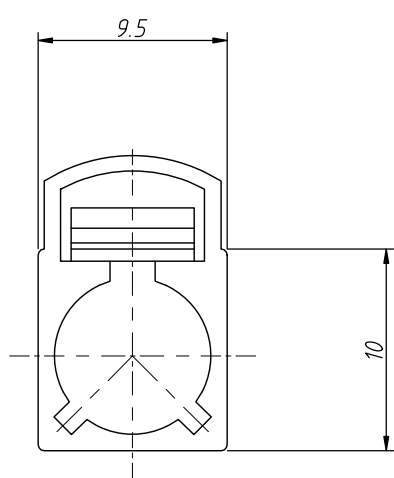
Copper Tube



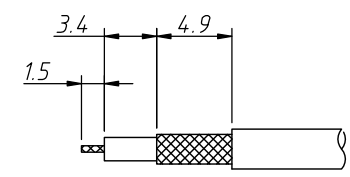
Snap Ring



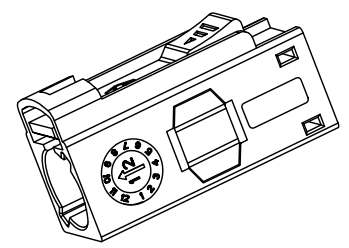
Plastic Housing



FAKRA K Jack



Cable Stripping Size



ANGLE TOLERANCE	PROJECTION	Description:		
±3°		Fakra jack connector RG174, RG316		
GENERAL TOLERANCE	UNITS	mm	KLS P/N:	L-KLS1-FAKRA40-A-XXXX-1
x. ±0.30	SHEET SIZE	A4	1 Of 2	NingBo KLS ELECTRONIC CO.,L TD.
x.x ±0.25	Draw:	Daniel	2024-08-02	
x.xx ±0.20	Check:	Daniel	2024-08-02	

1  
RoHS Compliance

Card slot direction	Code	Color	RAL	Order Information
	A	Black	sim.9005	FAKRA40-A-9005-1
	B	White	sim.9001	FAKRA40-A-9001-1
	C	Blue	sim.5005	FAKRA40-A-5005-1
	D	Bordeaux Violet	sim.4004	FAKRA40-A-4004-1
	E	Green	sim.6002	FAKRA40-A-6002-1
	F	Brown	sim.8011	FAKRA40-A-8011-1
	G	Grey	sim.7031	FAKRA10-A-7031-1
	H	Violet	sim.4003	FAKRA40-A-4003-1
	I	Beige	sim.1001	FAKRA40-A-1001-1
	K	Curry	sim.1027	FAKRA40-A-1027-1
	L	Carmine Red	sim.3002	FAKRA40-A-3002-1
	M	Pastel orange	sim.2003	FAKRA40-A-2003-1
	N	Pastel Green	sim.6019	FAKRA40-A-6019-1
	Z	Water Blue	sim.5021	FAKRA40-A-5021-1

Material:  
Housing:PA66+30%GF  
Body:Brass,Nickel Plating  
Snap Ring:Beryllium Copper  
Copper Tube:Brass,Nickel Plating  
Insulator:PTFE  
Pin Contact:Beryllium Copper,Gold Plating

Electrical:  
Frequency Range:DC ~ 4 GHz  
Nominal Impedance:50 ohms  
VSWR:<1.3  
Withstanding Voltage:335 V  
Insulator Resistance:1000 MΩ  
Contact Resistance:6 Milliohms Max(Center Contact)  
1 Milliohms Max(Outer Contact)  
Operating Temperature:-40°C ~ +85°C  
Environmental:Lead Free, RoHS compliant

Order Information  
L-KLS1-FAKRA40-A-9005-1

RoHS  
Card Slot Direction: \_\_\_\_\_  
A=up  
RAL: \_\_\_\_\_  
9005 Or 9001,5005,4004,6002,8011,7031,  
4003,1001,1027,3002,2003,6019,5021  
Size-1,2,3,4...

ANGLE TOLERANCE	PROJECTION	Description:	Fakra jack connector RG174, RG316	
±3°				
GENERAL TOLERANCE	UNITS	mm	KLS P/N:	L-KLS1-FAKRA40-A-XXXX-1
x. ±0.30	SHEET SIZE	A4	2 Of 2	NingBo KLS ELECTRONIC CO.,L TD.
x.x ±0.25	Draw:	Daniel	2024-08-02	
x.xx ±0.20	Check:	Daniel	2024-08-02	