

1
RoHS Compliance

2

3

4

5

6

7

8

A

B

C

D

E

F

G

H

A

B

C

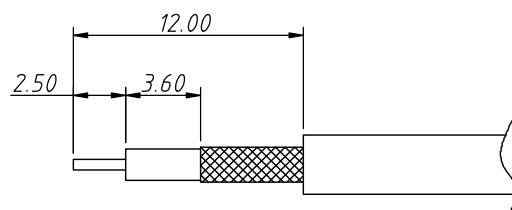
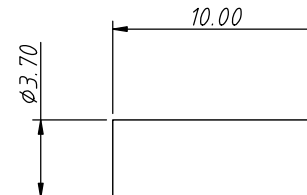
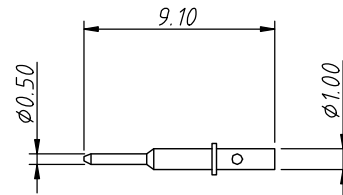
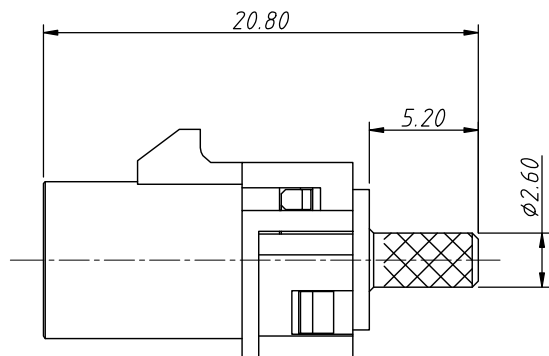
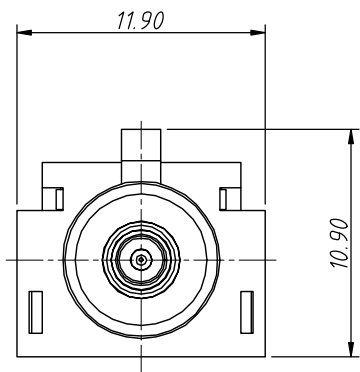
D

E

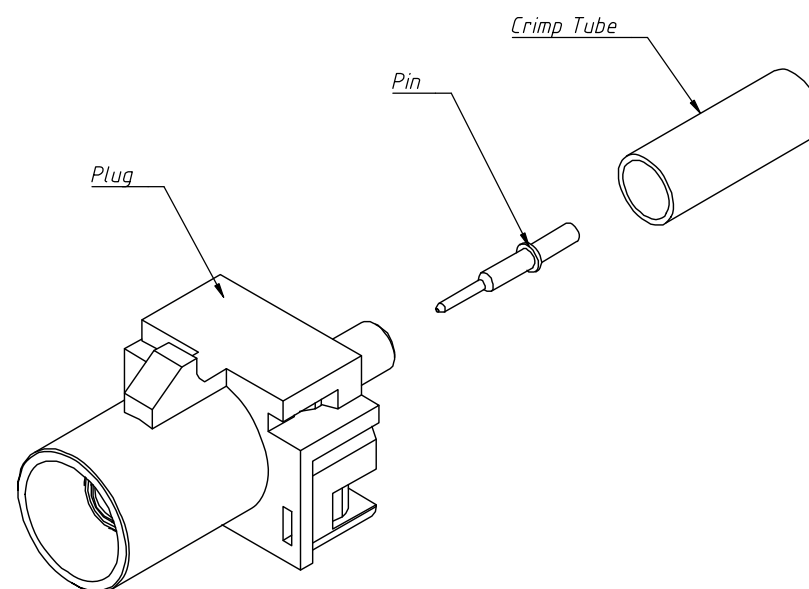
F

G

H



Center Conductor



ANGLE TOLERANCE	PROJECTION	Description:	FAKRA Plug Connector Crimp For RG174, RG316	
±3°			L-KLS1-FAKRA32-A-XXXX-1	
GENERAL TOLERANCE	UNITS	mm	KLS P/N:	
x. ±0.30	SHEET SIZE	A4	1 Of 2	
x.x ±0.25	Draw:	Daniel	2024-08-02	
x.xx ±0.20	Check:	Daniel	2024-08-02	

NingBo KLS ELECTRONIC CO.,L TD.

1

2

3

4

5

6

7

8

1
RoHS Compliance

Card slot direction	Code	Color	RAL	Order Information
	A	Black	sim.9005	FAKRA32-A-9005-1
	B	White	sim.9001	FAKRA32-A-9001-1
	C	Blue	sim.5005	FAKRA32-A-5005-1
	D	Bordeaux Violet	sim.4004	FAKRA32-A-4004-1
	E	Green	sim.6002	FAKRA32-A-6002-1
	F	Brown	sim.8011	FAKRA32-A-8011-1
	G	Grey	sim.7031	FAKRA32-A-7031-1
	H	Violet	sim.4003	FAKRA32-A-4003-1
	I	Beige	sim.1001	FAKRA32-A-1001-1
	K	Curry	sim.1027	FAKRA32-A-1027-1
	L	Carmine Red	sim.3002	FAKRA32-A-3002-1
	M	Pastel orange	sim.2003	FAKRA32-A-2003-1
	N	Pastel Green	sim.6019	FAKRA32-A-6019-1
	Z	Water Blue	sim.5021	FAKRA32-A-5021-1

Material:
Pin/Body/Crimp Tube:Brass
Housing/Cover:High Temperature Plastic,UL94V-0

Plating:
Contact: Au 1~3u"
Body/Crimp Tube: Over 50 "Min.Ni Underplated Overall

Packing:PE Bag

Order Information

L-KLS1-FAKRA32-A-9005-1

RoHS
Card Slot Direction:
A=up
RAL:
9005 Or 9001,5005,4004,6002,8011,7031,
4003,1001,1027,3002,2003,6019,5021
Size-1,2,3,4...

ANGLE TOLERANCE	PROJECTION	Description:	FAKRA Plug Connector Crimp For RG174, RG316	
±3°			L-KLS1-FAKRA32-A-XXXX-1	
GENERAL TOLERANCE	UNITS	mm	KLS P/N:	
x. ±0.30	SHEET SIZE	A4	2 Of 2	
x.x ±0.25	Draw:	Daniel	2024-08-02	
x.xx ±0.20	Check:	Daniel	2024-08-02	

NingBo KLS ELECTRONIC CO.,L TD.