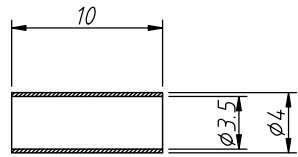
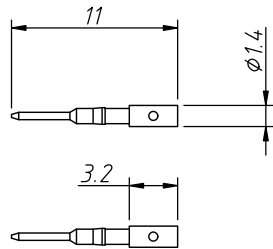


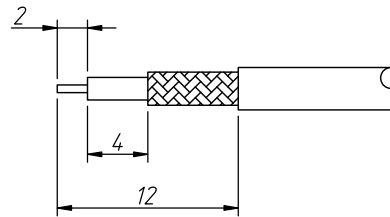
1  
RoHS Compliance



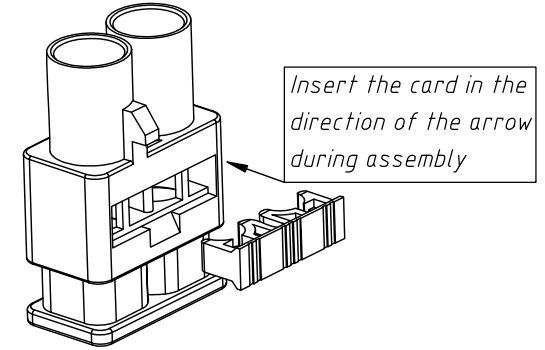
Pressure Tube



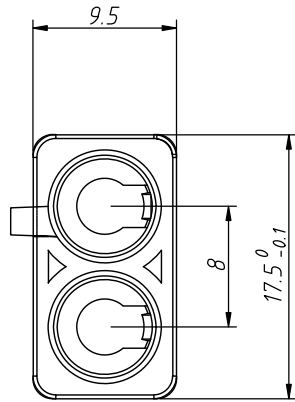
Center Pin



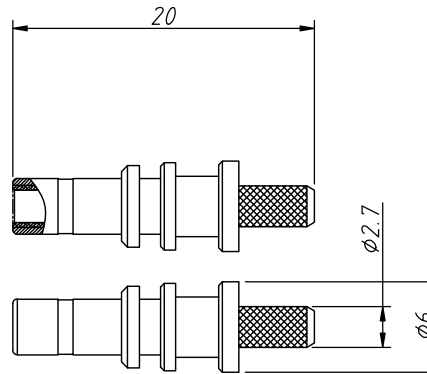
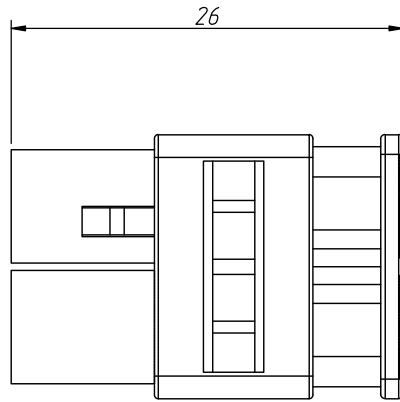
Cable Stripping Size



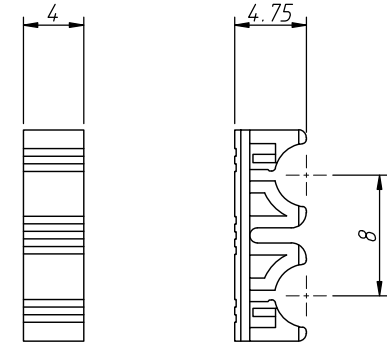
Schematic diagram of plugin assembly



Sheath



Hardware Assembly



Snap

ANGLE TOLERANCE	PROJECTION	Description:	Double FAKRA Plug Connector Crimp For RG174, RG316	
±3°				
GENERAL TOLERANCE	UNITS	mm	KLS P/N:	L-KLS1-FAKRA31-A-XXXX-1
x. ±0.30	SHEET SIZE	A4	1 OF 2	
x.x ±0.25	Draw:	Daniel	2024-08-02	NingBo KLS ELECTRONIC CO.,L TD.
x.xx ±0.20	Check:	Daniel	2024-08-02	

1  
RoHS Compliance

Card slot direction	Code	Color	RAL	Order Information
	A	Black	sim.9005	FAKRA31-A-9005-1
	B	White	sim.9001	FAKRA31-A-9001-1
	C	Blue	sim.5005	FAKRA31-A-5005-1
	D	Bordeaux Violet	sim.4004	FAKRA31-A-4004-1
	E	Green	sim.6002	FAKRA31-A-6002-1
	F	Brown	sim.8011	FAKRA31-A-8011-1
	G	Grey	sim.7031	FAKRA31-A-7031-1
	H	Violet	sim.4003	FAKRA31-A-4003-1
	I	Beige	sim.1001	FAKRA31-A-1001-1
	K	Curry	sim.1027	FAKRA31-A-1027-1
	L	Carmine Red	sim.3002	FAKRA31-A-3002-1
	M	Pastel orange	sim.2003	FAKRA31-A-2003-1
	N	Pastel Green	sim.6019	FAKRA31-A-6019-1
	Z	Water Blue	sim.5021	FAKRA31-A-5021-1

Material:  
 Sheath:PA66+15GF  
 Hardware Assembly:Teflon,Nickel Plated  
 Snap:PA66+15GF  
 Pressure Tube:Brass,Nickel Plated  
 Center Pin: Phosphor Copper,Gold Plated

Electrical:  
 Insulation Resistance:1000M $\Omega$   
 Medium Pressure:1000V,  
 Center Contact $\leq$ 6m $\Omega$ ,Outer Contact $\leq$ 1m $\Omega$   
 Shell Retention:>110N  
 Insertion force: $\leq$ 25N  
 Pull out the output: $\leq$ 25N  
 Mechanical Life:>50 Times  
 Temperature Range:-40 $^{\circ}$ C ~ +105 $^{\circ}$ C  
 Adapt Cable:RG174/316/1.5C-2V

Order Information  
 L-KLS1-FAKRA31-A-9005-1  
  
 RoHS  
 Card Slot Direction:  
 A=up  
 RAL:  
 9005 Or 9001,5005,4004,6002,8011,7031,  
 4003,1001,1027,3002,2003,6019,5021  
 Size-1,2,3,4...

ANGLE TOLERANCE	PROJECTION	Description:	Double FAKRA Plug Connector Crimp For RG174, RG316	
$\pm 3^{\circ}$				
GENERAL TOLERANCE	UNITS	mm	KLS P/N:	L-KLS1-FAKRA31-A-XXXX-1
x. $\pm 0.30$	SHEET SIZE	A4	2 Of 2	
x.x $\pm 0.25$	Draw:	Daniel	2024-08-02	NingBo KLS ELECTRONIC CO.,L TD.
x.xx $\pm 0.20$	Check:	Daniel	2024-08-02	