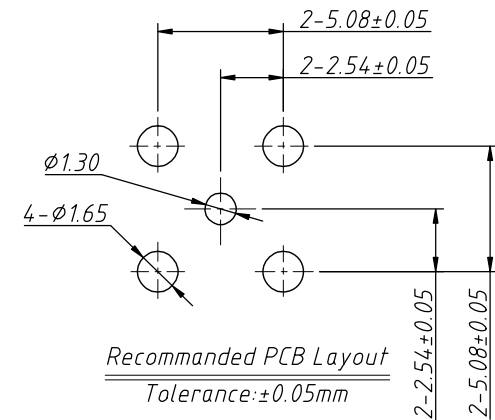
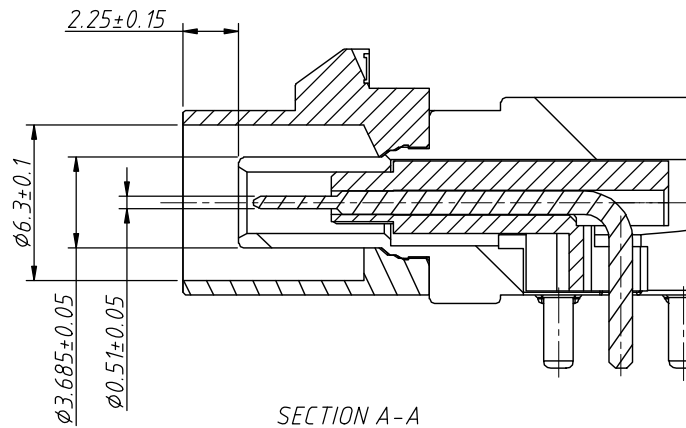
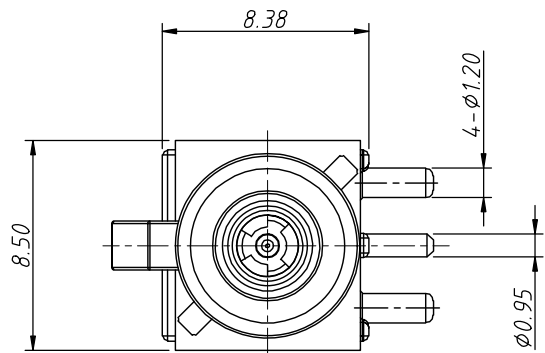
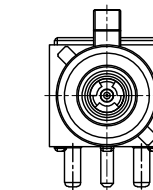
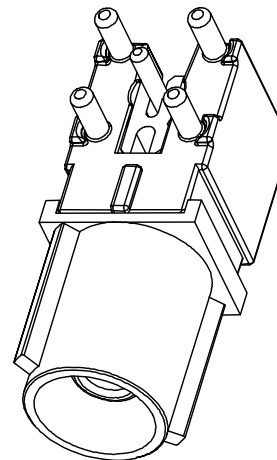
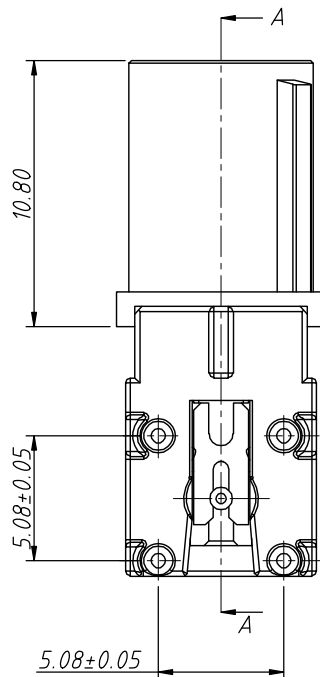
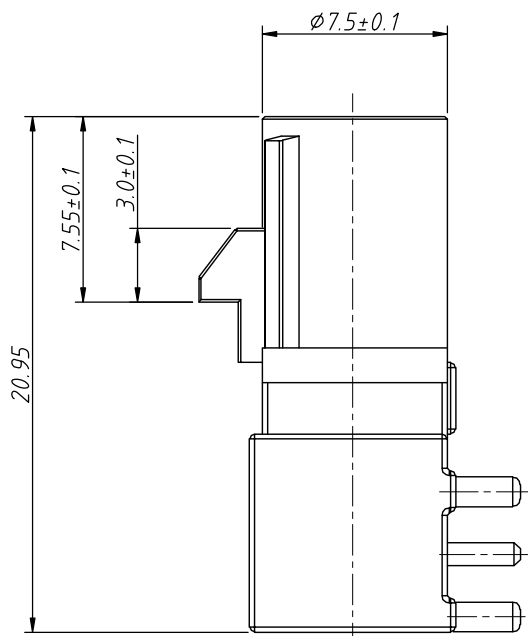


RoHS Compliance

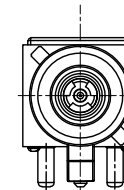


Recommended PCB Layout
Tolerance: ±0.05mm

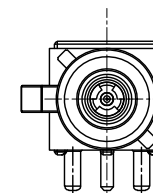
SECTION A-A



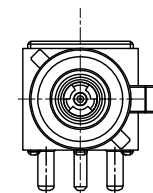
A=up



B=down



C=Left



D=Right

ANGLE TOLERANCE	PROJECTION	Description:	Right angle Fakra plug connector	
±3°				
GENERAL TOLERANCE	UNITS	mm	KLS P/N:	L-KLS1-FAKRA06-X-XXXX-1
x. ±0.30	SHEET SIZE	A4	1 OF 2	
x.x ±0.25	Draw:	Daniel	2024-08-02	
x.xx ±0.20	Check:	Daniel	2024-08-02	



NingBo KLS ELECTRONIC CO.,L TD.

1
RoHS Compliance

Card slot direction	Code	Color	RAL	Order Information
	A	Black	sim.9005	FAKRA06-A-9005-1
	B	White	sim.9001	FAKRA06-A-9001-1
	C	Blue	sim.5005	FAKRA06-A-5005-1
	D	Bordeaux Violet	sim.4004	FAKRA06-A-4004-1
	E	Green	sim.6002	FAKRA06-A-6002-1
	F	Brown	sim.8011	FAKRA06-A-8011-1
	G	Grey	sim.7031	FAKRA06-A-7031-1
	H	Violet	sim.4003	FAKRA06-A-4003-1
	I	Beige	sim.1001	FAKRA06-A-1001-1
	K	Curry	sim.1027	FAKRA06-A-1027-1
	L	Carmine Red	sim.3002	FAKRA06-A-3002-1
	M	Pastel orange	sim.2003	FAKRA06-A-2003-1
	N	Pastel Green	sim.6019	FAKRA06-A-6019-1
	Z	Water Blue	sim.5021	FAKRA06-A-5021-1

Material:
Housing:PA66+30%GF
Out Contacts:Zinc Alloy,Tin Plated
Center Pin:Copper Alloy,Gold Plated
Insulator:HTN+30%GF

Electrical:
Impedance:50Ω Max
Contact Resistance:(Center Pin)40mΩ Max
(Outer Contact)40mΩ Max
Frequency Range:DC to 6GHZ
Return Loss:≤18db,DC To 1GHZ
Insulator Resistance:100MΩ Min
Test Voltage:800V AC rms
Working Voltage:60V DC Max
Current:1A DC Max
Durability:25 Times Min
Engage Force:25N Max
Disengage Force:With Lock:110N Min
Without Lock:75N Max
Center Pin Retention Force:10N Min
Temperature Range:-40°C to +105°C

Order Information
L-KLS1-FAKRA06-A-9005-1
RoHS
Card Slot Direction:
A=up B=down C=Left D=Right
RAL:
9005 Or 9001,5005,4004,6002,8011,7031,
4003,1001,1027,3002,2003,6019,5021
Size-1,2,3,4...

ANGLE TOLERANCE	PROJECTION	Description:	Right angle Fakra plug connector	
±3°				
GENERAL TOLERANCE	UNITS	mm	KLS P/N:	L-KLS1-FAKRA06-X-XXXX-1
x. ±0.30	SHEET SIZE	A4	2 Of 2	
x.x ±0.25	Draw:	Daniel	2024-08-02	
x.xx ±0.20	Check:	Daniel	2024-08-02	

NingBo KLS ELECTRONIC CO.,L TD.