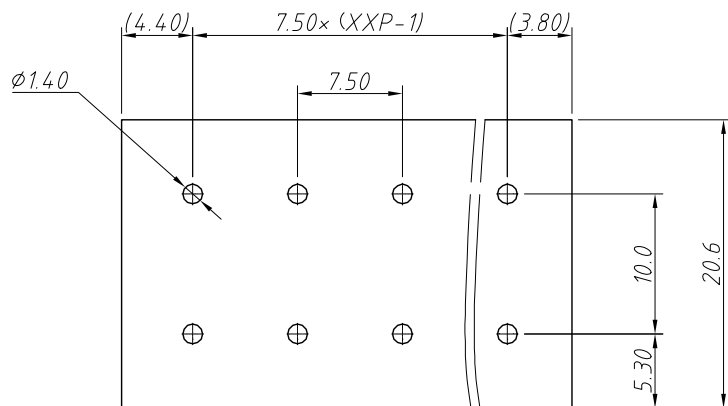
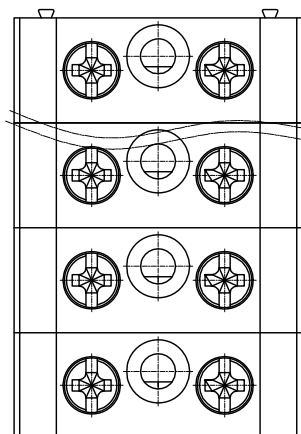


1 RoHS Compliance

REV	SYM	Revision Record	Appr.	Date
V0	KLS02006	New Version Release	WuHao	2024-09-23



Recommended PCB Layout



Electrical Characteristics	UL	IEC
Rated Voltage	300V	320V
Rated Current	30A	32A
Withstand Voltage	1600V / 1 min	4.0KV
Wire Range	10-24 AWG	0.5-4.0mm <sup>2</sup>

Material and other:

Housing: PA66, UL94V-0

Pin header: Copper Alloy, Sn Plated

Screw/Torque: M3.0/0.5N.m Max.

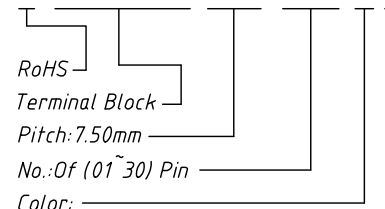
Steip Length: 6-7mm

Soldering Temperature: +260°C/5 S

Operating temperatur: -40°C ~ +105°C

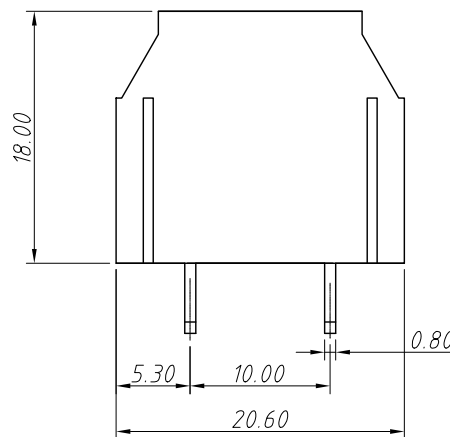
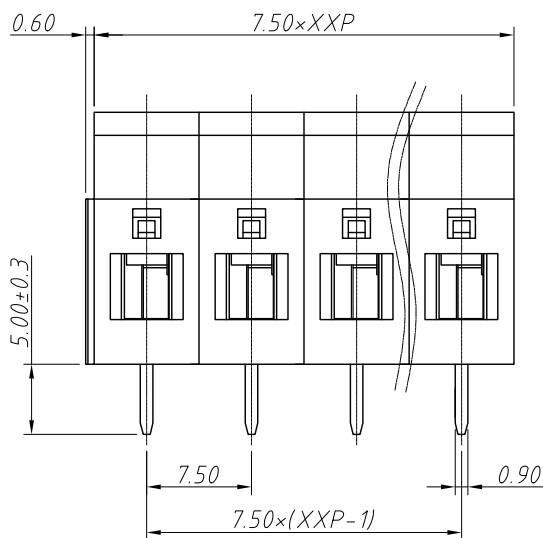
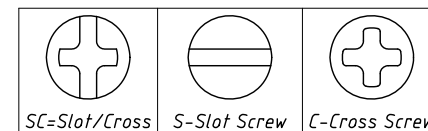
Order Information

L-KLS2-563-7.50-XXP-X X



- Color:
- 1=Gray      2=Blue      3=Black
  - 4=Green    5=Orange    6=Red
  - 7=Transp   8=Yellow    9=White

Screw: SC=Slot/Cross  
S-Slot Screw    C-Cross Screw



ANGLE TOLERANCE	PROJECTION	Description:
±3°		Pitch 7.50mm Screw fixation Terminal Block
GENERAL TOLERANCE	UNITS	mm
0~30	±0.50	SHEET SIZE
30~60	±0.75	Draw:
60~90	±1.00	Check:
KLS P/N:		L-KLS2-563-7.50-XXP-XX
KLS ELECTRONIC		NingBo KLS ELECTRONIC CO.,L TD.