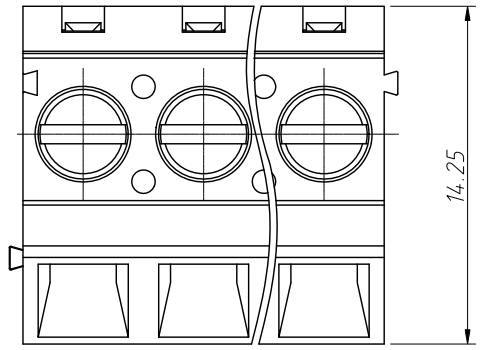
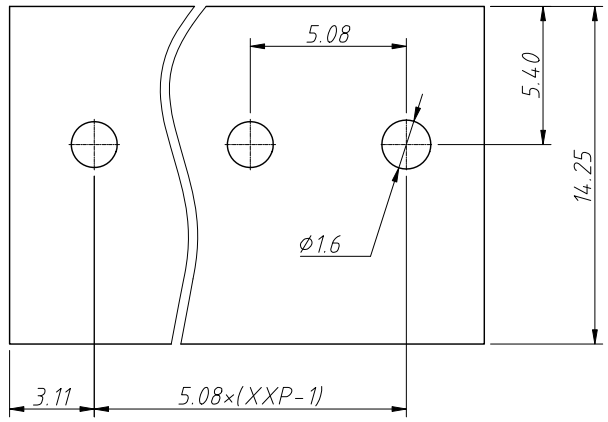


1
RoHS Compliance

6		7		8	
REV	SYM	Revision Record		Appr.	Date
V0	KLS02006	New Version Release		WuHao	2024-10-22

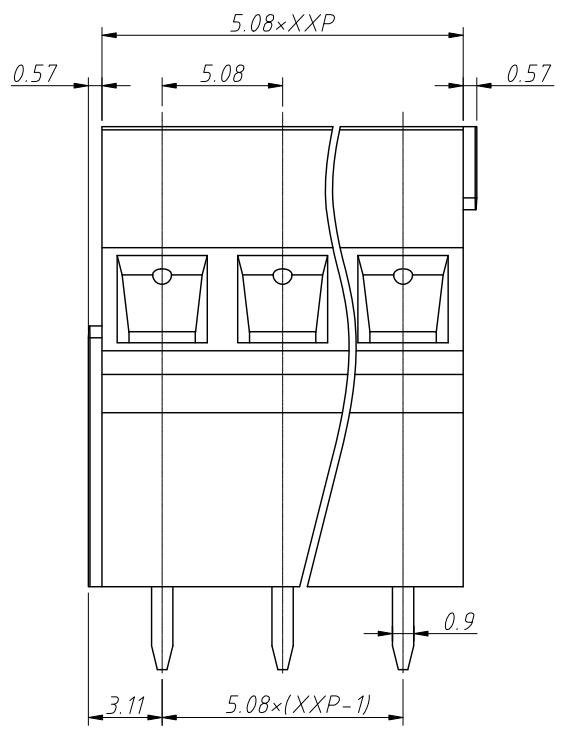
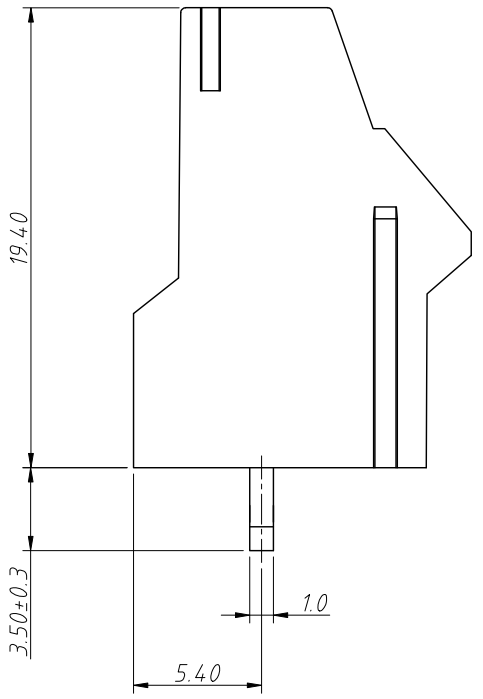


Electrical Characteristics	UL	IEC
Rated Voltage	300V	250V
Rated Current	20A	20A
Withstand Voltage	1600V/1 min	4.0KV
Wire Range	12~22 AWG	0.2~2.5mm ²

Recommended PCB Layout

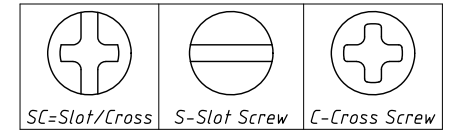
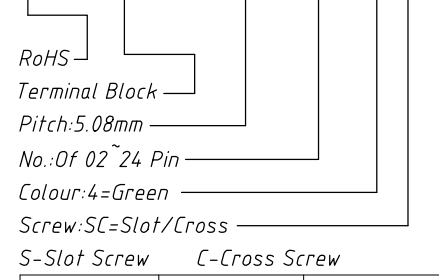
Material
Housing:PA66, UL 94 V-0
Contactor:Copper Alloy,Sn Plated

Electrical
Stripping Length:10~11 mm
Screw/Torque:M3/0.5N.M Max
Operation Temperature:-40°C~+105°C



Order Information

L-KLS2-131V-5.08-XXP-XX



ANGLE TOLERANCE	PROJECTION	Description:			
±3°		5.08mm Screw Terminal Block			
GENERAL TOLERANCE	UNITS	mm	KLS P/N:		
.x ±0.30	SHEET SIZE	A4	L-KLS2-131V-5.08-XXP-XX		
.xx ±0.20	Draw:	WuHao	2024-10-22	NingBo KLS ELECTRONIC CO.,L TD.	
.xxx ±0.10	Check:	Daniel	2024-10-22		